

CaNaRa
Lighting

CaNaRa
Lighting

ಕೆನರಾ ಲೈಟಿಂಗ್



LED FLOOD LIGHT



LINEAR WASH LIGHT



LED PAR LIGHT



LED INGROUND LIGHT



LED SPOT LIGHT



LED STRIP LIGHT



LED SPIKE LIGHT



LED PILLAR SPOT



LED WALL LIGHT



LED TRACK LIGHT



LED WINDOW LIGHT



LED BOLLARD LIGHT



LED POST TOP LIGHT



LED PIXEL LIGHT

LED FLOOD LIGHT

SL.NO.	CODE	DESCRIPTION
01.	CAN LED SFL40	LED FLOOD LIGHT – 40W
02.	CAN LED SFL60	LED FLOOD LIGHT – 50-60W
03.	CAN LED SFL80	LED FLOOD LIGHT – 80W
04.	CAN LED SFL100	LED FLOOD LIGHT – 100W-140W
05.	CAN LED SFL150	LED FLOOD LIGHT – 150W-190W
06.	CAN LED SFL200	LED FLOOD LIGHT – 200W-240W
07.	CAN LED SFL250	LED FLOOD LIGHT – 250W-290W
08.	CAN LED SFL300	LED FLOOD LIGHT – 300W-340W
09.	CAN LED SFL350	LED FLOOD LIGHT – 350W-490W
10.	CAN LED SFL500	LED FLOOD LIGHT – 500W



Canara High quality LED Flood light consist of LED's, having various beam angles support a variety of light distribution for different applications, including flood lighting and façade lighting.

FEATURES

- Adopts original LED light source, high flux output, excellent consistency of light color ; constant current driver with PWM gray control installed inside.
- The brightness can be controlled by DMX512 signal, the adjustable range is 0-100%.
- With multiway rotate function of round support or "U" support available to meet the various occasions demands.
- Light body adopts high pressure die-casting aluminium, surface with electrostatic plastic coating.
- Lampshade adopts high strength toughened glass, resist the impact and friction.
- Available in optional beam angle lenses.
- Environmental friendly and free from UV, IR or Mercury.

SPECIFICATIONS

LED power : 40W LED

Power Supply : AC100-240V, 50/60HZ

Color Temperature : SINGLE COLOR/RGBW

CRI : > 80

Beam angle : Optional
10°,15°,20°,30°,45°,60°,15x30°,10x60°

Protection rating : IP66

Control : Manual (On - Off) / DMX 512

LED lifetime : 50000 hours

Body : Die-cast aluminium casing

Dimension : ϕ 165 x L 164 x H 230 mm



Product Code : CAN LED SFL40



Applications :

Outdoor Landscape lighting such as hotels, shopping malls, buildings and bridges.

Canara High quality LED flood light consist of 18 pcs LED's, having various beam angles support a variety of light distribution for different applications, including flood lighting and façade lighting.

FEATURES

- Adopts original LED light source, high flux output, excellent consistency of light color ; constant current driver with PWM gray control installed inside.
- With multiway rotate function of round support or "U" support available to meet the various occasions demands.
- Light body adopts high pressure die-casting aluminium, surface with electrostatic plastic coating.
- Lampshade adopts high strength toughened glass, resist the impact and friction.
- Available in optional beam angle lenses.
- Environmental friendly and free from UV, IR or Mercury.

SPECIFICATIONS

LED power : 50/60W LED

Power Supply : AC100-240V, 50/60HZ

Color Temperature : SINGLE COLOR/RGBW

CRI : > 80

Beam angle : Optional
10°,15°,20°,30°,45°,60°,15x30°,10x60°

Protection rating : IP66

Control : Manual (On - Off) / DMX 512

LED lifetime : 50000 hours

Body : Die-cast aluminium casing

Dimension : ϕ 165 x L 164 x H 230 mm



Product Code : CAN LED SFL60



Applications :

Outdoor Landscape lighting such as hotels, shopping malls, buildings and bridges.

CaNaRa
Lighting
GLOBAL ILLUMINATORS

Canara High quality LED flood light consist of 36 pcs LED's, having various beam angles support a variety of light distribution for different applications, including flood lighting and façade lighting.

FEATURES

- Adopts original LED light source, high flux output, excellent consistency of light color ; constant current driver with PWM gray control installed inside.
- The brightness can be controlled by DMX512 signal , the adjustable range is 0-100%.
- With multiway rotate function of round support or "U" support available to meet the various occasions demands.
- Light body adopts high pressure die-casting aluminium, surface with electrostatic plastic coating.
- Lampshade adopts high strength toughened glass, resist the impact and friction.
- Available in optional beam angle lenses.
- Environmental friendly and free from UV, IR or Mercury.

SPECIFICATIONS

LED power : 80W LED

Power Supply : AC100-240V, 50/60HZ

Color Temperature : SINGLE COLOR/RGBW

CRI : > 80

Beam angle : Optional
10°,15°,20°,30°,45°,60°,15x30°,10x60°

Protection rating : IP66

Control : Manual (On - Off)/DMX 512

LED lifetime : 50000 hours

Body : Die-cast aluminium casing

Dimension : \varnothing 220 x L 200 x H 312 mm



Product Code : CAN LED SFL80



Applications :

Outdoor Landscape lighting such as hotels, shopping malls, buildings and bridges.

Canara High quality LED Flood light consist of 36 pcs LED's, having various beam angles support a variety of light distribution for different applications, including flood lighting and façade lighting.

FEATURES

- Adopts original LED light source, high flux output, excellent consistency of light color ; constant current driver with PWM gray control installed inside.
- With multiway rotate function of round support or "U" support available to meet the various occasions demands.
- Light body adopts high pressure die-casting aluminium, surface with electrostatic plastic coating.
- Lampshade adopts high strength toughened glass, resist the impact and friction.
- Available in optional beam angle lenses.
- Environmental friendly and free from UV, IR or Mercury.

SPECIFICATIONS

LED power : 100W LED

Power Supply : AC100-240V, 50/60HZ

Color Temperature : SINGLE COLOR/RGBW

CRI : > 80

Beam angle : Optional
10°,15°,20°,30°,45°,60°,15x30°,10x60°

Protection rating : IP66

Control : Manual (On - Off) / DMX512

LED lifetime : 50000 hours

Body : Die-cast aluminium casing

Dimension : ø220 x L 200 x H 312 mm



Product Code : CAN LED SFL100



Applications :

Outdoor Landscape lighting such as hotels, shopping malls, buildings and bridges.

Canara High quality LED flood light consist of 24 pcs LED's, having various beam angles support a variety of light distribution for different applications, including flood lighting and façade lighting.

FEATURES

- Adopts original LED light source, high flux output, excellent consistency of light color ; constant current driver with PWM gray control installed inside.
- The brightness can be controlled by DMX512 signal , the adjustable range is 0-100%.
- Equipped with RDM bidirectional feedback function, the address code is automatically assigned for easy installation and maintenance.
- With multiway rotate function of round support or "U" support available to meet the various occasions demands.
- Light body adopts high pressure die-casting aluminium, surface with electrostatic plastic coating.
- Lampshade adopts high strength toughened glass, resist the impact and friction.
- Available in optional beam angle lenses.
- Environmental friendly and free from UV, IR or Mercury.

SPECIFICATIONS

LED power : 150W

Power Supply : AC100-260V, 50/60HZ

Color Temperature : SINGLE COLOR/RGBW

Beam angle : Optional 15°,20°,30°,15x60°

Protection rating : IP66

Control : Manual (On - Off) / DMX512

LED lifetime : 50000 hours

Body : Die-cast aluminium casing

Dimension : ø320 x L 330 x H 373 mm



Product Code : CAN LED SFL150



Applications :

Outdoor Landscape lighting such as hotels, shopping malls, buildings and bridges.

Canara High quality LED Flood light consist of 90 pcs LED's, having various beam angles support a variety of light distribution for different applications, including flood lighting and façade lighting.

FEATURES

- Adopts original LED light source, high flux output, excellent consistency of light color ; constant current driver with PWM gray control installed inside.
- The brightness can be controlled by DMX512 signal, the adjustable range is 0-100%.
- Equipped with RDM bidirectional feedback function, the address code is automatically assigned for easy installation and maintenance.
- With multiway rotate function of round support or "U" support available to meet the various occasions demands.
- Light body adopts high pressure die-casting aluminium, surface with electrostatic plastic coating.
- Lampshade adopts high strength toughened glass, resist the impact and friction.
- Available in optional beam angle lenses.
- Environmental friendly and free from UV, IR or Mercury.

SPECIFICATIONS

LED power : 200W LED

Power Supply : AC100-305V, 50/60HZ

Color Temperature : SINGLE COLOR/RGBW

Beam angle : Optional 15°,20°,30°,15x60°

Protection rating : IP66

Control : Manual (On - Off) / DMX512

LED lifetime : 50000 hours

Body : Die-cast aluminium casing

Dimension : ϕ 210 x L 243 x H 253 mm



Product Code : CAN LED SFL200



Applications :

Outdoor Landscape lighting such as hotels, shopping malls, buildings and bridges.

CaNaRa
Lighting
GLOBAL ILLUMINATORS

Canara High quality LED flood light consist of 90 pcs LED's, having various beam angles support a variety of light distribution for different applications, including flood lighting and façade lighting.

FEATURES

- Allows perfect control of color temperature and light output level.
- High quality of light gives perfect color homogeneity on output window.
- The brightness can be controlled by DMX512 signal and manual control, the adjustable range is 0-100%.
- Equipped with RDM bidirectional feedback function, the address code is automatically assigned for easy installation and maintenance
- High light efficiency, High illumination and high stability.
- Inbuilt driver and no external ballast required.
- Available in optional beam angle lenses.
- Environmental friendly and free from UV, IR or Mercury.
- Adopts die-cast aluminium casing and natural heat dissipation.

SPECIFICATIONS

LED power : 250W LED

Power Supply : 100 – 240V AC

Color Temperature : SINGLE COLOR/RGBW

Beam angle : Optional 15°,20°,30°,15x60°

Protection rating : IP66

Beam angle : Optional 15°,20°,30°,15x60°

Power Factor : >0.9

Control : DMX 512 or Manual

Body : Die-cast aluminium casing

Dimension : L 708 x W 253 x H 310 mm



Product Code : CAN LED SFL250



Applications :

Outdoor Landscape lighting such as hotels, shopping malls, buildings and bridges.

CaNaRa
Lighting
GLOBAL ILLUMINATORS

Canara High quality LED Flood light consist of 90 pcs LED's, having various beam angles support a variety of light distribution for different applications, including flood lighting and façade lighting.

FEATURES

- Allows perfect control of color temperature and light output level.
- High quality of light gives perfect color homogeneity on output window.
- The brightness can be controlled by DMX512 signal and manual control, the adjustable range is 0-100%.
- Equipped with RDM bidirectional feedback function, the address code is automatically assigned for easy installation and maintenance
- Low power consumption, high luminous efficiency and high brightness.
- Adopts die-cast aluminium casing and natural heat dissipation.
- Inbuilt driver and no external ballast required.
- Available in optional beam angle lenses.
- Environmental friendly and free from UV, IR or Mercury.
- Adopts die-cast aluminium casing and natural heat dissipation.

SPECIFICATIONS

LED power : 300W LED

Power Supply : 100 – 240V AC

Color Temperature : SINGLE COLOR/RGBW

CRI : >80

Protection rating : IP66

Beam angle : Optional 15°,20°,30°,15x60°

Power Factor : >0.9

Control : DMX 512 or Manual

Body : Die-Cast aluminium casing

Dimension : L 708 x W 253 x H 310 mm



Product Code : CAN LED SFL300



Applications :

Outdoor Landscape lighting such as hotels, shopping malls, buildings and bridges.

Canara High quality LED flood light consist of 180 pcs LED's with CCS color management correction system, having various beam angles support a variety of light distribution for different applications, including flood lighting and façade lighting.

FEATURES

- Allows perfect control of color temperature and light output level.
- High quality of light gives perfect color homogeneity on output window.
- The brightness can be controlled by DMX512 signal and manual control, the adjustable range is 0-100%.
- Equipped with RDM bidirectional feedback function, the address code is automatically assigned for easy installation and maintenance
- Low power consumption, high luminous efficiency and high brightness.
- Adopts die-cast aluminium casing and natural heat dissipation.
- Inbuilt driver and no external ballast required.
- Available in optional beam angle lenses.
- Environmental friendly and free from UV, IR or Mercury.
- Adopts die-cast aluminium casing and natural heat dissipation.

SPECIFICATIONS

LED power : 520W LED

Power Supply : 100 – 277V AC

Color Temperature : SINGLE COLOR/RGBW

Protection rating : IP66

Beam angle : Optional 15°,20°,30°,60°

Power Factor : >0.9

Control : DMX 512 or Manual

Body : Die-Cast aluminium casing

Dimension : L 732 x W 253 x H 538 mm



Product Code : CAN LED SFL500



Applications :

Outdoor Landscape lighting such as hotels, shopping malls, buildings and bridges.



CaNaRa
Lighting
GLOBAL ILLUMINATORS

LED LINEAR WASH LIGHT

SL.NO.	CODE	DESCRIPTION
01.	CAN LED WW18	LED LINEAR WASH LIGHT – 18W
02.	CAN LED WW24	LED LINEAR WASH LIGHT – 24W
03.	CAN LED WW40	LED LINEAR WASH LIGHT – 36W
04.	CAN LED WW40	LED LINEAR WASH LIGHT – 40W
05.	CAN LED WW60	LED LINEAR WASH LIGHT – 60W
06.	CAN LED WW80	LED LINEAR WASH LIGHT – 80W
07.	CAN LED WW100	LED LINEAR WASH LIGHT – 100W
08.	CAN LED WW150	LED LINEAR WASH LIGHT – 144W



Canara High quality LED wash light consist of LED's, having various beam angles support a variety of light distribution for different applications, including floodlighting, wall grazing and asymmetric wall washing.

FEATURES

- Allows perfect control of color temperature and light output level.
- High quality of light gives perfect color homogeneity on output window.
- The brightness can be controlled by DMX512 signal and manual control, the adjustable range is 0-100%.
- Equipped with RDM bidirectional feedback function, the address code is automatically assigned for easy installation and maintenance
- Specially designed heatsink with aluminium extruded channels for effective passive cooling system.
- High lumen output, higher efficiency, energy saving up to 60%, Eco-friendly and high luminous efficiency and excellent heat dissipation structure.
- Inbuilt driver and no external ballast required.
- IP67 grade waterproof, all-weather outdoor use.
- Available in optional beam angle lenses.
- Environmental friendly and free from UV, IR or Mercury.

SPECIFICATIONS

LED power : 18W LED

Power Supply : 240V AC/24V DC

Color : RGBW/Single color

Protection rating : IP66

Beam angle : 15°/20°/30°/45°/60°/Asymmetric

Control : DMX 512 or On & Off control

Body : Extruded aluminum body

Dimension : L300mm/L600mm/1000mm



Product Code : CAN LED WW18



Applications :

Outdoor Landscape lighting such as hotels, shopping malls, buildings and bridges.

Canara High quality LED wash light consist of LED's, having various beam angles support a variety of light distribution for different applications, including floodlighting, wall grazing and asymmetric wall washing.

FEATURES

- Allows perfect control of color temperature and light output level.
- High quality of light gives perfect color homogeneity on output window.
- The brightness can be controlled by DMX512 signal and manual control, the adjustable range is 0-100%.
- Equipped with RDM bidirectional feedback function, the address code is automatically assigned for easy installation and maintenance
- Specially designed heatsink with aluminium extruded channels for effective passive cooling system.
- High lumen output, higher efficiency, energy saving up to 60%, Eco-friendly and high luminous efficiency and excellent heat dissipation structure.
- Inbuilt driver and no external ballast required.
- IP67 grade waterproof, all-weather outdoor use.
- Available in optional beam angle lenses.
- Environmental friendly and free from UV, IR or Mercury.

SPECIFICATIONS

LED power : 24W LED

Power Supply : 240V AC/24V DC

Color : RGBW/Single color

Protection rating : IP66

Beam angle : 15°/20°/30°/45°/60°/Asymmetric

Control : DMX 512 or On & Off control

Body : Extruded aluminum body

Dimension : L300mm/L600mm/1000mm



Product Code : CAN LED WW24



Applications :

Outdoor Landscape lighting such as hotels, shopping malls, buildings and bridges.

Canara High quality LED wash light consist of LED's, having various beam angles support a variety of light distribution for different applications, including floodlighting, wall grazing and asymmetric wall washing.

FEATURES

- Allows perfect control of color temperature and light output level.
- High quality of light gives perfect color homogeneity on output window.
- The brightness can be controlled by DMX512 signal and manual control, the adjustable range is 0-100%.
- Equipped with RDM bidirectional feedback function, the address code is automatically assigned for easy installation and maintenance
- Specially designed heatsink with aluminium extruded channels for effective passive cooling system.
- High lumen output, higher efficiency, energy saving up to 60%, Eco-friendly and high luminous efficiency and excellent heat dissipation structure.
- Inbuilt driver and no external ballast required.
- IP67 grade waterproof, all-weather outdoor use.
- Available in optional beam angle lenses.
- Environmental friendly and free from UV, IR or Mercury.

SPECIFICATIONS

LED power : 36W LED

Power Supply : 240V AC/24V DC

Color : RGBW/Single color

Protection rating : IP66

Beam angle : 15°/20°/30°/45°/60°/Asymmetric

Control : DMX 512 or On & Off control

Body : Extruded aluminum body

Dimension : L300mm/L600mm/1000mm



Product Code : CAN LED WW40



Applications :

Outdoor Landscape lighting such as hotels, shopping malls, buildings and bridges.

Canara High quality LED wash light consist of LED's, having various beam angles support a variety of light distribution for different applications, including floodlighting, wall grazing and asymmetric wall washing.

FEATURES

- Allows perfect control of color temperature and light output level.
- High quality of light gives perfect color homogeneity on output window.
- The brightness can be controlled by DMX512 signal and manual control, the adjustable range is 0-100%.
- Equipped with RDM bidirectional feedback function, the address code is automatically assigned for easy installation and maintenance
- Specially designed heatsink with aluminium extruded channels for effective passive cooling system.
- High lumen output, higher efficiency, energy saving up to 60%, Eco-friendly and high luminous efficiency and excellent heat dissipation structure.
- Inbuilt driver and no external ballast required.
- IP67 grade waterproof, all-weather outdoor use.
- Available in optional beam angle lenses.
- Environmental friendly and free from UV, IR or Mercury.

SPECIFICATIONS

LED power : 40W LED

Power Supply : 240V AC/24V DC

Color : RGBW/Single color

Protection rating : IP66

Beam angle : 15°/20°/30°/45°/60°/Asymmetric

Control : DMX 512 or On & Off control

Body : Extruded aluminum body

Dimension : L300mm/L600mm/1000mm



Product Code : CAN LED WW40



Applications :

Outdoor Landscape lighting such as hotels, shopping malls, buildings and bridges.

Canara High quality LED wash light consist of LED's, having various beam angles support a variety of light distribution for different applications, including floodlighting, wall grazing and asymmetric wall washing.

FEATURES

- Allows perfect control of color temperature and light output level.
- High quality of light gives perfect color homogeneity on output window.
- The brightness can be controlled by DMX512 signal and manual control, the adjustable range is 0-100%.
- Equipped with RDM bidirectional feedback function, the address code is automatically assigned for easy installation and maintenance
- Specially designed heatsink with aluminium extruded channels for effective passive cooling system.
- High lumen output, higher efficiency, energy saving up to 60%, Eco-friendly and high luminous efficiency and excellent heat dissipation structure.
- Inbuilt driver and no external ballast required.
- IP67 grade waterproof, all-weather outdoor use.
- Available in optional beam angle lenses.
- Environmental friendly and free from UV, IR or Mercury.

SPECIFICATIONS

LED power : 60W LED

Power Supply : 240V AC/24V DC

Color : RGBW/Single color

Protection rating : IP66

Beam angle : 15°/20°/30°/45°/60°/Asymmetric

Control : DMX 512 or On & Off control

Body : Extruded aluminum body

Dimension : 1000mm



Product Code : CAN LED WW60



Applications :

Outdoor Landscape lighting such as hotels, shopping malls, buildings and bridges.

Canara High quality LED wash light consist of LED's, having various beam angles support a variety of light distribution for different applications, including floodlighting, wall grazing and asymmetric wall washing.

FEATURES

- Allows perfect control of color temperature and light output level.
- High quality of light gives perfect color homogeneity on output window.
- The brightness can be controlled by DMX512 signal and manual control, the adjustable range is 0-100%.
- Equipped with RDM bidirectional feedback function, the address code is automatically assigned for easy installation and maintenance
- Specially designed heatsink with aluminium extruded channels for effective passive cooling system.
- High lumen output, higher efficiency, energy saving up to 60%, Eco-friendly and high luminous efficiency and excellent heat dissipation structure.
- Inbuilt driver and no external ballast required.
- IP67 grade waterproof, all-weather outdoor use.
- Available in optional beam angle lenses.
- Environmental friendly and free from UV, IR or Mercury.

SPECIFICATIONS

LED power : 80W LED

Power Supply : 240V AC/24V DC

Color : RGBW/Single color

Protection rating : IP66

Beam angle : 15°/20°/30°/45°/60°/Asymmetric

Control : DMX 512 or On & Off control

Body : Extruded aluminum body

Dimension : 1000mm



Product Code : CAN LED WW80



Applications :

Outdoor Landscape lighting such as hotels, shopping malls, buildings and bridges.

Canara High quality LED wash light consist of LED's, having various beam angles support a variety of light distribution for different applications, including floodlighting, wall grazing and asymmetric wall washing.

FEATURES

- Allows perfect control of color temperature and light output level.
- High quality of light gives perfect color homogeneity on output window.
- The brightness can be controlled by DMX512 signal and manual control, the adjustable range is 0-100%.
- Specially designed heatsink with aluminium extruded channels for effective passive cooling system.
- High lumen output, higher efficiency, energy saving up to 60%, Eco-friendly and high luminous efficiency and excellent heat dissipation structure.
- Inbuilt driver and no external ballast required.
- Available in optional beam angle lenses.
- Environmental friendly and free from UV, IR or Mercury.

SPECIFICATIONS

Power : 100W

Power Supply : 100 – 277V AC, 50Hz

Color : RGBW/Single Color

Protection rating : IP66

Beam angle : 15°/30°/45°/60°/Asymmetric

Control : DMX 512/On & Off control

Body : Extruded aluminum body

Dimension : L1000 x W50 x H105 mm



Product Code : CAN LED WW100



Applications :

Outdoor Landscape lighting such as hotels, shopping malls, buildings and bridges.

Canara High quality LED wash light consist of LED's, having various beam angles support a variety of light distribution for different applications, including floodlighting, wall grazing and asymmetric wall washing.

FEATURES

- Allows perfect control of color temperature and light output level.
- High quality of light gives perfect color homogeneity on output window.
- The brightness can be controlled by DMX512 signal and manual control, the adjustable range is 0-100%.
- Specially designed heatsink with aluminium extruded channels for effective passive cooling system.
- High lumen output, higher efficiency, energy saving up to 60%, Eco-friendly and high luminous efficiency and excellent heat dissipation structure.
- Inbuilt driver and no external ballast required.
- Available in optional beam angle lenses.
- Environmental friendly and free from UV, IR or Mercury.

SPECIFICATIONS

Power : 144W

Power Supply : 100 – 277V AC, 50Hz

Color : RGBW/Single Color

Protection rating : IP66

Beam angle : 15°/30°/45°/60°/Asymmetric

Control : DMX 512/On & Off control

Body : Extruded aluminum body

Dimension : L1000 x W60 x H105 mm



Product Code : CAN LED WW150



Applications :

Outdoor Landscape lighting such as hotels, shopping malls, buildings and bridges.

LED PAR LIGHT

SL.NO.	CODE	DESCRIPTION
01.	CAN LED PAR36RGB	LED PAR LIGHT 361 – 36W
02.	CAN LED PAR36BC	LED PAR LIGHT 361 – 36W
03.	CAN LED PAR110RGB	LED PAR LIGHT 363 – 110W
04.	CAN LED PAR110BC	LED PAR LIGHT 363 – 110W
05.	CAN LED PAR160RGBW	LED PAR LIGHT 543 – 160W
06.	CAN LED PAR160BC	LED PAR LIGHT 543 – 160W
07.	CAN LED PAR180RGBW	LED PAR LIGHT 1810 – 180W



High quality Canara LED PAR RGB color IP65 light used as a outdoor architectural effect light, spot light and strobe light etc.,

FEATURES

- High power LED's are able to create accurate bright effects and is more than 30% brighter than any of its kind.
- 7 Channel DMX-512 fixture having stable performance with Auto & DMX function.
- Die Casted aluminium housing with black polyester epoxy powder coat.
- Brightness is controlled by DMX512 mode through dedicated faders and in manual mode by pressing of tactile switches provided on light control board.
- Power loopin/loopout and DMX loopin/loopout options are available.



Product Code : CAN LED PAR363

Applications :

Outdoor Landscape lighting such as hotels, buildings and pillars.

SPECIFICATIONS

LED power : 36 x 3W RGB LED

Power Supply : 100 – 240V AC, 50-60Hz

Channels : 7 Channels DMX 512

Protection rating : IP65

Control : DMX 512/ Manual

Beam angle : 25°(15°,45° optional)

Function : Strobe, Dimming, Sound active

Dimension : L 190 x W 240 x H 260 mm

Weight : 5.9 Kg

Accessories : C-Clamp, Stand, Safety Bond, DMX and power cables (optional)



CaNaRa
Lighting
GLOBAL ILLUMINATORS

High quality Canara LED PAR Bi color IP65 light used as a outdoor architectural effect light, spot light and strobe light etc.,

FEATURES

- High power LED's are able to create accurate bright effects and is more than 30% brighter than any of its kind.
- 2/4 Channel DMX-512 fixture having stable performance with Auto & DMX function.
- Die Casted aluminium housing with black polyester epoxy powder coat.
- Brightness is controlled by DMX512 mode through dedicated faders and in manual mode by pressing of tactile switches provided on light control board.
- Power loopin/loopout and DMX loopin/loopout options are available.



Product Code : CAN LED PAR363

Applications :

Outdoor Landscape lighting such as hotels, buildings and pillars.

SPECIFICATIONS

LED power : 36 x 3W LED

Power Supply : 100 – 240V AC, 50-60Hz

Channels : 2/4 Channels DMX 512

Protection rating : IP65

Control : DMX 512/ Manual

Beam angle : 25°(15°,45° optional)

Function : Strobe, Dimming, Sound active

Dimension : L 190 x W 240 x H 260 mm

Weight : 5.9 Kg

Accessories : C-Clamp, Stand, Safety Bond, DMX and power cables (optional)



LED PAR LIGHT 543

160W

High quality Canara LED PAR RGBW color IP65 light used as a outdoor architectural effect light, spot light and strobe light etc.,

FEATURES

- High power LED's are able to create accurate bright effects and is more than 30% brighter than any of its kind.
- 8 Channel DMX-512 fixture having stable performance with Auto & DMX function.
- Die Casted aluminium housing with black polyester epoxy powder coat.
- Brightness is controlled by DMX512 mode through dedicated faders and in manual mode by pressing of tactile switches provided on light control board.
- Power loopin/loopout and DMX loopin/loopout options are available.



Product Code : CAN LED PAR543

Applications :

Outdoor Landscape lighting such as hotels, buildings and pillars.

SPECIFICATIONS

LED power : 54 x 3W RGBW LED

Power Supply : 100 – 240V AC, 50-60Hz

Channels : 8 Channels DMX 512

Protection rating : IP65

Control : DMX 512/ Manual

Beam angle : 25°(15°,45° optional)

Function : Strobe, Dimming, Sound active

Dimension : L 300 x W 210 x H 340 mm

Weight : 9.2 Kg

Accessories : C-Clamp, Stand, Safety Bond, DMX and power cables (optional)



CaNaRa
Lighting
GLOBAL ILLUMINATORS

High quality Canara LED PAR Bi color IP65 light used as a outdoor architectural effect light, spot light and strobe light etc.,

FEATURES

- High power LED's are able to create accurate bright effects and is more than 30% brighter than any of its kind.
- 3 Channel DMX-512 fixture having stable performance with Auto & DMX function.
- Die Casted aluminium housing with black polyester epoxy powder coat.
- Brightness is controlled by DMX512 mode through dedicated faders and in manual mode by pressing of tactile switches provided on light control board.
- Power loopin/loopout and DMX loopin/loopout options are available.



Product Code : CAN LED PAR543BC

Applications :

Outdoor Landscape lighting such as hotels, buildings and pillars.

SPECIFICATIONS

LED power : 54 x 3W LED

Power Supply : 100 – 240V AC, 50-60Hz

Channels : 3 Channels DMX 512

Protection rating : IP65

Control : DMX 512/ Manual

Beam angle : 25°(15°,45° optional)

Function : Strobe, Dimming, Sound active

Dimension : L 300 x W 210 x H 340 mm

Weight : 9.2 Kg

Accessories : C-Clamp, Stand, Safety Bond, DMX and power cables (optional)



CaNaRa
Lighting
GLOBAL ILLUMINATORS

High quality Canara LED tungsten PAR IP65 light used as a outdoor architectural effect light, spot light and strobe light etc.,

FEATURES

- High power LED's are able to create accurate bright effects and is more than 30% brighter than any of its kind.
- 3 Channel DMX-512 fixture having stable performance with Auto & DMX function.
- Die Casted aluminium housing with black polyester epoxy powder coat.
- Brightness is controlled by DMX512 mode through dedicated faders and in manual mode by pressing of tactile switches provided on light control board.
- Power loopin/loopout and DMX loopin/loopout options are available.



Product Code : CAN LED PAR543T

Applications :

Outdoor Landscape lighting such as hotels, buildings and pillars.

SPECIFICATIONS

LED power : 54 x 3W LED 3200K

Power Supply : 100 – 240V AC, 50-60Hz

Channels : 3 Channels DMX 512

Protection rating : IP65

Control : DMX 512/ Manual

Beam angle : 25°(15°,45° optional)

Function : Strobe, Dimming, Sound active

Dimension : L 300 x W 210 x H 340 mm

Weight : 9.2 Kg

Accessories : C-Clamp, Stand, Safety Bond, DMX and power cables (optional)



CaNaRa
Lighting
GLOBAL ILLUMINATORS

LED PAR LIGHT 1810

180W

High quality Canara LED PAR RGBW color IP65 light used as a outdoor architectural effect light, spot light and strobe light etc.,

FEATURES

- High power LED's are able to create accurate bright effects and is more than 30% brighter than any of its kind.
- 8 Channel DMX-512 fixture having stable performance with Auto & DMX function.
- Die Casted aluminium housing with black polyester epoxy powder coat.
- Brightness is controlled by DMX512 mode through dedicated faders and in manual mode by pressing of tactile switches provided on light control board.
- Power loopin/loopout and DMX loopin/loopout options are available.



Product Code : CAN LED PAR1810

Applications :

Outdoor Landscape lighting such as hotels, buildings and pillars.

SPECIFICATIONS

LED power : 18 x 10W RGBW LED 4 in 1

Power Supply : 100 – 240V AC, 50-60Hz

Channels : 8 Channels DMX 512

Protection rating : IP65

Control : DMX 512/ Manual

Beam angle : 25°(15°,45° optional)

Function : Strobe, Dimming, Sound active

Dimension : L 300 x W 210 x H 340 mm

Weight : 9.2 Kg

Accessories : C-Clamp, Stand, Safety Bond, DMX and power cables (optional)



CaNaRa
Lighting
GLOBAL ILLUMINATORS

LED GROUND RECESSED LIGHT

SL.NO.	CODE	DESCRIPTION
01.	CAN LED GR12DL	LED GROUND RECESSED LIGHT – 12W
02.	CAN LED GR12RGBW	LED GROUND RECESSED LIGHT – 12W
03.	CAN LED GR28DL	LED GROUND RECESSED LIGHT – 28W
04.	CAN LED GR21WW CAN LED GR21RGB CAN LED GR30WW CAN LED GR30RGB	LED GROUND RECESSED LIGHT – 21W/30W
05.	CAN LED GR14WW CAN LED GR14RGB CAN LED GR32WW CAN LED GR32RGB	LED GROUND RECESSED LIGHT – 105W
06.	CAN LED GR46RGBW	LED GROUND RECESSED LIGHT – 46W
07.	CAN LED GR42WW CAN LED GR42RGB CAN LED GR60WW CAN LED GR60RGB	LED GROUND RECESSED LIGHT – 42W/60W
08.	CAN LED GR56WW CAN LED GR56RGB CAN LED GR72WW CAN LED GR72RGB	LED GROUND RECESSED LIGHT– 56W/72W
09.	CAN LED GR72RGBW 4 IN 1	LED GROUND RECESSED LIGHT – 72W
10.	CAN LED GR100RGBW 4 IN 1	LED GROUND RECESSED LIGHT – 100W



CaNaRa
Lighting

GLOBAL ILLUMINATORS

Canara high bright compact LED outdoor ground recessed light having high strength tempered glass, strong light transmittance. Used for decoration or indicating lighting, the application level has considerable flexibility.

FEATURES

- Lamp body is die-cast aluminium material, which is durable, anti-seepage water, excellent heat dissipation performance, wide light radiation surface and strong load-bearing capacity.
- The brightness can be controlled by DMX512 signal and manual control, the adjustable range is 0-100%.
- IP67 grade waterproof, all-weather outdoor use.
- Environmental friendly and free from UV, IR or Mercury.



Product Code : CAN LED GR12DL

Applications :

Widely used in green belts, park tourist attractions, urban sculptures, pedestrian streets and building stairs.



CaNaRa
Lighting
GLOBAL ILLUMINATORS

SPECIFICATIONS

LED power : 12W LED

Power Supply : 100 – 240V AC, 50-60Hz

CCT : 3200K/4000K

CRI : >80

Optical System : Tempered glass

Protection rating : IP67 ; IK10

Beam angle : 16° (Optional)

Power factor : >0.9

Control : DMX 512 or Manual

Body : Die-cast aluminum body

Weight : 2 Kg

Dimension : ϕ 153 x H 178 mm (Circular)
L 133 x W 133 x H 178mm (Square)



Canara high bright compact LED outdoor ground recessed light having high strength tempered glass, strong light transmittance. It adopts innovative LED four-in-one light source and even color mixing. Used for decoration or indicating lighting, the application level has considerable flexibility.

FEATURES

- Lamp body is die-cast aluminium material, which is durable, anti-seepage water, excellent heat dissipation performance, wide light radiation surface and strong load-bearing capacity.
- The brightness can be controlled by DMX512 signal and manual control, the adjustable range is 0-100%.
- Equipped with RDM functions, real time feedback on lamp failure and usage, reducing troubleshooting and maintenance costs.
- IP67 grade waterproof, all-weather outdoor use.
- Environmental friendly and free from UV, IR



Product Code : CAN LED GR12RGBW

Applications :

Widely used in green belts, park tourist attractions, urban sculptures, pedestrian streets and building stairs.

SPECIFICATIONS

LED power : 12W LED

Power Supply : 100 – 240V AC

Color : RGBW

Optical system : Tempered glass

Protection rating : IP67 ; IK10

Beam angle : 16°

Power Factor : >0.9

Control : DMX 512/RDM or Manual

Body : Die-cast aluminum

Weight : 2 Kg

Dimension : ϕ 153 x H 178 mm (Circular)
L 133 x W 133 x H 178mm (Square)



CaNaRa
Lighting
GLOBAL ILLUMINATORS

Canara high bright compact LED outdoor ground recessed light having high strength tempered glass, strong light transmittance. Used for decoration or indicating lighting, the application level has considerable flexibility.

FEATURES

- Lamp body is die-cast aluminium material, which is durable, anti-seepage water, excellent heat dissipation performance, wide light radiation surface and strong load-bearing capacity.
- The brightness can be controlled by DMX512 signal and manual control, the adjustable range is 0-100%.
- IP67 grade waterproof, all-weather outdoor use.
- Environmental friendly and free from UV, IR or Mercury.



Product Code : CAN LED GR28DL

Applications :

Widely used in green belts, park tourist attractions, urban sculptures, pedestrian streets and building stairs.



CaNaRa
Lighting
GLOBAL ILLUMINATORS

SPECIFICATIONS

LED power : 28W LED

Power Supply : 100 – 240V AC, 50-60Hz

CCT : 3000K/5600K

CRI : >80

Optical System : Tempered glass

Protection rating : IP67 ; IK10

Beam angle : 16° (Optional)

Power factor : >0.9

Control : DMX 512 or Manual

Body : Die-cast aluminum body

Weight : 8 Kg

Dimension : ø320 x H 146 mm



Canara high power LED outdoor ground recessed light consist of 18 pcs LED's uses the design of increasing heat dissipation space, the buried barrel adopts aluminium alloy compression molding form. Used for decoration or indicating lighting, the application level has considerable flexibility.

FEATURES

- Surface with anodizing treatment has the stronger structure and anti-corrosion capability, meet the LED light body requirement for heat conduct to the outside of concrete and land, fully ensure the stability and long lifespan of LED fixture.
- Stainless steel faceplate, high pressure die casting light body, surface with electrostatic plastic coating.
- Lampshade adopts high strength toughened glass, resist the impact and friction.
- Adopt original LED light source, high flus output, excellent consistency of light color; Constant current driver with PWM gray control installed inside, make the light result much beautiful.
- The brightness can be controlled by DMX512 signal and manual control, the adjustable range is 0-100%.
- IP67 grade waterproof, all-weather outdoor use.
- Environmental friendly and free from UV, IR or Mercury.

Applications :

Widely used in green belts, park tourist attractions, urban sculptures, pedestrian streets and building stairs.

SPECIFICATIONS

LED power : 21W/30W LED

Power Supply : 100 – 240V AC, 50-60Hz

Color Temperature : 3000K/ RGB

CRI : >80 (For warm white)

Optical system : PMMA secondary light distribution technology

Protection rating : IP67 ; IK10

Beam angle : Optional
5°,8°,12.5°,20°,30°,45°,60°,15x30°,10x60°

Control : DMX 512 or Manual

Body : Die-cast aluminum

Dimension : ϕ 260 x H 146 mm



**Product Code : CAN LED GR21WW
CAN LED GR21RGB
CAN LED GR30WW
CAN LED GR30RGB**



CaNaRa
Lighting
GLOBAL ILLUMINATORS

Canara high power LED outdoor ground recessed light consist of 12 pcs LED's uses the design of increasing heat dissipation space, the buried barrel adopts aluminium alloy compression molding form. Used for decoration or indicating lighting, the application level has considerable flexibility.

FEATURES

- Surface with anodizing treatment has the stronger structure and anti-corrosion capability, meet the LED light body requirement for heat conduct to the outside of concrete and land, fully ensure the stability and long lifespan of LED fixture.
- Stainless steel faceplate, high pressure die casting light body, surface with electrostatic plastic coating.
- Lampshade adopts high strength toughened glass, resist the impact and friction.
- Adopt original LED light source, high flux output, excellent consistency of light color; Constant current driver with PWM gray control installed inside, make the light result much beautiful.
- The brightness can be controlled by DMX512 signal and manual control, the adjustable range is 0-100%.
- IP67 grade waterproof, all-weather outdoor use.
- Environmental friendly and free from UV, IR or Mercury.

Applications :

Widely used in green belts, park tourist attractions, urban sculptures, pedestrian streets and building stairs.



SPECIFICATIONS

LED power : 14W/32W LED

Power Supply : 100 – 240V AC, 50-60Hz

Color Temperature : 3000K/ RGB

CRI : >80 (For warm white)

Optical system : PMMA secondary light distribution technology

Protection rating : IP67 ; IK10

Beam angle : Optional
5°, 8°, 12.5°, 20°, 30°, 45°, 60°, 15x30°, 10x60°

Control : DMX 512 or Manual

Body : Die-cast aluminum

Dimension : ø260 x H 196 mm



**Product Code : CAN LED GR14WW
CAN LED GR14RGB
CAN LED GR32WW
CAN LED GR32RGB**

CaNaRa
Lighting
GLOBAL ILLUMINATORS

Canara high bright compact LED outdoor ground recessed light having high strength tempered glass, strong light transmittance. It adopts innovative LED four-in-one light source and even color mixing. Used for decoration or indicating lighting, the application level has considerable flexibility.

FEATURES

- Lamp body is die-cast aluminium material, which is durable, anti-seepage water, excellent heat dissipation performance, wide light radiation surface and strong load-bearing capacity.
- The two semi-circular modules can be adjusted separately for elevation angle and controlled by two sections.
- The brightness can be controlled by DMX512 signal and manual control, the adjustable range is 0-100%.
- Equipped with RDM functions, real time feedback on lamp failure and usage, reducing troubleshooting and maintenance costs.
- IP67 grade waterproof, all-weather outdoor use.
- Environmental friendly and free from UV, IR or Mercury.



Product Code : CAN LED GR46RGBW

Applications :

Widely used in green belts, park tourist attractions, urban sculptures, pedestrian streets and building stairs.

SPECIFICATIONS

LED power : 46W LED

Power Supply : 100 – 240V AC

Color : RGBW

Optical system : Tempered glass

Protection rating : IP67 ; IK10

Beam angle : 16°

Power Factor : >0.9

Control : DMX 512/RDM or Manual

Body : Die-cast aluminum

Weight : 2 Kg

Dimension : ø320 x H 146 mm



CaNaRa
Lighting
GLOBAL ILLUMINATORS

Canara high power LED outdoor ground recessed light consist of 24 pcs LED's uses the design of increasing heat dissipation space, the buried barrel adopts aluminium alloy compression molding form. Used for decoration or indicating lighting, the application level has considerable flexibility.

FEATURES

- Surface with anodizing treatment has the stronger structure and anti-corrosion capability, meet the LED light body requirement for heat conduct to the outside of concrete and land, fully ensure the stability and long lifespan of LED fixture.
- Stainless steel faceplate, high pressure die casting light body, surface with electrostatic plastic coating.
- Lampshade adopts high strength toughened glass, resist the impact and friction.
- Adopt LED light source, high flus output, excellent consistency of light color; Constant current driver with PWM gray control installed inside, make the light result much beautiful.
- The brightness can be controlled by DMX512 signal and manual control, the adjustable range is 0-100%.
- IP67 grade waterproof, all-weather outdoor use.
- Environmental friendly and free from UV, IR or Mercury.

Applications :

Widely used in green belts, park tourist attractions, urban sculptures, pedestrian streets and building stairs.



SPECIFICATIONS

LED power : 42W/60W LED

Power Supply : 100 – 240V AC, 50-60Hz

Color Temperature : 3000K/ RGB

CRI : >80 (For warm white)

Optical system : PMMA secondary light distribution technology

Protection rating : IP67 ; IK10

Beam angle : Optional
5°, 12.5°, 20°, 30°, 45°, 60°, 15x30°, 10x60°

Control : DMX 512 or Manual

Body : Die-cast aluminum

Dimension : ø330 x H 260 mm



**Product Code : CAN LED GR42WW
CAN LED GR42RGB
CAN LED GR60WW
CAN LED GR60RGB**

Canara high power LED outdoor ground recessed light consist of 36 pcs LED's uses the design of increasing heat dissipation space, the buried barrel adopts aluminium alloy compression molding form. Used for decoration or indicating lighting, the application level has considerable flexibility.

FEATURES

- Surface with anodizing treatment has the stronger structure and anti-corrosion capability, meet the LED light body requirement for heat conduct to the outside of concrete and land, fully ensure the stability and long lifespan of LED fixture.
- Stainless steel faceplate, high pressure die casting light body, surface with electrostatic plastic coating.
- Lampshade adopts high strength toughened glass, resist the impact and friction.
- Adopt original LED light source, high flus output, excellent consistency of light color; Constant current driver with PWM gray control installed inside, make the light result much beautiful.
- The brightness can be controlled by DMX512 signal and manual control, the adjustable range is 0-100%.
- IP67 grade waterproof, all-weather outdoor use.
- Environmental friendly and free from UV, IR or Mercury.

Applications :

Widely used in green belts, park tourist attractions, urban sculptures, pedestrian streets and building stairs.

SPECIFICATIONS

LED power : 56W/72W LED

Power Supply : 100 – 240V AC,50-60Hz

Color Temperature : 3000K/RGB

CRI : > 80 (For Warm White)

Optical system : PMMA secondary light distribution technology

Protection rating : IP67 ; IK10

Beam angle : Optional
5°,8°,12.5°,20°,30°,45°,60°,15x30°,10x60°

Control : DMX 512 or Manual

Body : Die-cast aluminum

Dimension : ø330 x H 260 mm



**Product Code : CAN LED GR56WW
CAN LED GR56RGB
CAN LED GR72WW
CAN LED GR72RGB**



CaNaRa
Lighting
GLOBAL ILLUMINATORS

Canara high power LED outdoor ground recessed light consist of 9 pcs LED's uses the design of increasing heat dissipation space, the buried barrel adopts aluminium alloy compression molding form. Used for decoration or indicating lighting, the application level has considerable flexibility.

FEATURES

- Surface with anodizing treatment has the stronger structure and anti-corrosion capability, meet the LED light body requirement for heat conduct to the outside of concrete and land, fully ensure the stability and long lifespan of LED fixture.
- Stainless steel faceplate, high pressure die casting light body, surface with electrostatic plastic coating.
- Lampshade adopts high strength toughened glass, resist the impact and friction.
- Adopt original LED light source, high flus output, excellent consistency of light color; Constant current driver with PWM gray control installed inside, make the light result much beautiful.
- The brightness can be controlled by DMX512 signal and manual control, the adjustable range is 0-100%.
- IP67 grade waterproof, all-weather outdoor use.
- Environmental friendly and free from UV, IR or Mercury.

SPECIFICATIONS

LED power : 72W LED

Power Supply : 100 – 240V AC, 50-60Hz

Color : RGBW 4 in 1

Optical system : PMMA secondary light distribution technology

Protection rating : IP67 ; IK10

Beam angle : Optional 15°,20°,30°, 15x60°

Control : DMX 512 or Manual

Body : Die-cast aluminum

Dimension : ø260 x H 146 mm



**Product Code : CAN LED GR72RGBW
4 in 1**

Applications :

Widely used in green belts, park tourist attractions, urban sculptures, pedestrian streets and building stairs.



CaNaRa
Lighting
GLOBAL ILLUMINATORS

Canara high power LED outdoor ground recessed light consist of 12 pcs LED's uses the design of increasing heat dissipation space, the buried barrel adopts aluminium alloy compression molding form. Used for decoration or indicating lighting, the application level has considerable flexibility.

FEATURES

- Surface with anodizing treatment has the stronger structure and anti-corrosion capability, meet the LED light body requirement for heat conduct to the outside of concrete and land, fully ensure the stability and long lifespan of LED fixture.
- Stainless steel faceplate, high pressure die casting light body, surface with electrostatic plastic coating.
- Lampshade adopts high strength toughened glass, resist the impact and friction.
- Adopt original LED light source, high flux output, excellent consistency of light color; Constant current driver with PWM gray control installed inside, make the light result much beautiful.
- The brightness can be controlled by DMX512 signal and manual control, the adjustable range is 0-100%.
- IP67 grade waterproof, all-weather outdoor use.
- Environmental friendly and free from UV, IR or Mercury.

SPECIFICATIONS

LED power : 100W LED

Power Supply : 100 – 240V AC,50-60Hz

Color : RGBW 4 in 1

Optical system : PMMA secondary light distribution technology

Protection rating : IP67 ; IK10

Beam angle : Optional 15°,20°,30°, 15x60°

Control : DMX 512 or Manual

Body : Die-cast aluminum

Dimension : ϕ 330 x H 260 mm



**Product Code : CAN LED GR100RGBW
4 in 1**

Applications :

Widely used in green belts, park tourist attractions, urban sculptures, pedestrian streets and building stairs.



**CaNaRa
Lighting**
GLOBAL ILLUMINATORS

LED SPOT LIGHT

SL.NO.	CODE	DESCRIPTION
01.	CAN LED SP4	LED SPOT LIGHT – 4W
02.	CAN LED SP5	LED SPOT LIGHT – 3/5/10/20W COB
03.	CAN LED SP7	LED SPOT LIGHT – 6/10W
04.	CAN LED SP15	LED SPOT LIGHT – 15/20W
05.	CAN LED SP24	LED SPOT LIGHT – 24/30W
06.	CAN LED SP36	LED SPOT LIGHT – 36/40W
07.	CAN LED SP48	LED SPOT LIGHT – 48/50W
08.	CAN LED SP60	LED SPOT LIGHT – 60W
09.	CAN LED SP80	LED SPOT LIGHT – 80W
10.	CAN LED SP100	LED SPOT LIGHT – 100W
11.	CAN LED SP120	LED SPOT LIGHT – 120W
12.	CAN LED SP180	LED SPOT LIGHT – 180W
13.	CAN LED SP200	LED SPOT LIGHT – 200W

Canara LED spot light with versatile mounting options will be used widely in gardens and outdoor areas comes with the spike mount kit for gardens or attached to walls with the surface mounting kit. Also with the different mounting features and fully adjustable swivel connection to direct the light where you need it with choice of flood/spot lenses.

FEATURES

- Interesting LED technology with the traditional garden spike light.
- Stainless steel body and trim to maximize elegance and protection degree.
- Silicone gaskets guarantee a strong seal in order to maintain the IP rating.
- Suitable for outdoor application & capable of withstanding wet weather conditions, allowing you flexibility in positioning.
- Highly efficient and glare free.



Product Code : CAN LED SP4



Applications :

Outdoor Landscape lighting such as hotels, shopping malls, buildings and bridges.

SPECIFICATIONS

LED power : 4W LED

Power Supply : 100 – 240V AC, 50-60Hz/DC

Optical system : Super white tempered glass

Color Temperature : 3000K/ 4000K

CRI : > 80

Protection rating : IP68, IK10

Beam angle : 25°, 45°

Installation : On ground/Surface mounting

Body : Stainless steel body

LED Lifetime : 50000 hours

Accessories : Spike & Hood.



High quality Canara LED COB Spot light used as a Decorative light, Spot light and Garden light etc., for creating many effects for various applications.

FEATURES

- Die casted aluminium body and 7 tank process various chemical treatment to keep them rust free, powder coated in black texture for long life.
- Specially designed heat sink and highest operating temperatures offers significant advantages over mechanical and electrical deterioration.
- Different beam angle and different color temperature options.
- Outdoor application IP65/IP66 ratings.
- Simple installation and easy maintenance.



Product Code : CAN LED SP3/5/10/20



Applications :

Perfect for lighting trees, Shrubs and water features etc.

SPECIFICATIONS

LED power : 3/5/10/20W COB LED

Power Supply : 100 – 240V AC, 50-60Hz/DC

Control : On - Off /DMX512

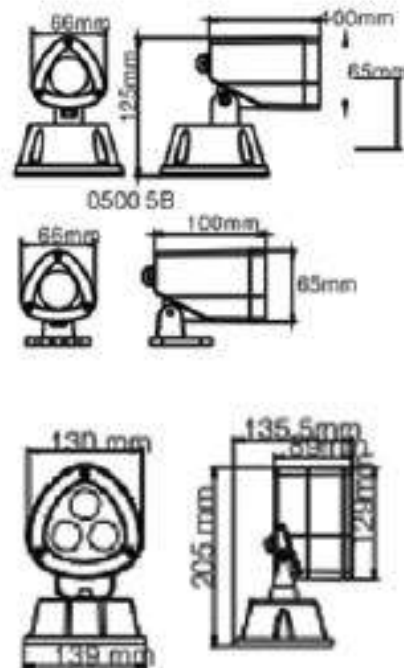
Color Temperature : 2800K-5600K/RGB

Operating Temperature : -10°-50°C

Beam angle : 15°, 24°, 35°, 60°

Dimensions : 100 x 66 x 240mm

Weight : 0.35 kg.



Canara High quality LED spot light consist of 6 pcs LED's, having various beam angles support a variety of light distribution for different applications, including flood lighting and façade lighting.

FEATURES

- Adopts original LED light source, high flux output, excellent consistency of light color ; constant current driver with PWM gray control installed inside.
- The brightness can be controlled by DMX512 signal, the adjustable range is 0-100%.
- With multiway rotate function of round support or "U" support available to meet the various occasions demands.
- Light body adopts high pressure die-casting aluminium, surface with electrostatic plastic coating.
- Lampshade adopts high strength toughened glass, resist the impact and friction.
- Available in optional beam angle lenses.
- Environmental friendly and free from UV, IR or Mercury.

SPECIFICATIONS

LED power : 6W/10W LED

Power Supply : 100 – 240V AC, 50-60Hz/DC

Color Temperature : 3000K-5600K/RGB

CRI : > 80

Beam angle : Optional 5°,8°,15°,20°,30°,45°,60°

Protection rating : IP66

Control : On - Off /DMX512

LED lifetime : 50,000 hours

Body : Die-cast aluminium casing

Dimension : ø165 x L 164 x H 230 mm

Accessories : Round support , Spike.



Product Code : CAN LED SP6
CAN LED SP10



Applications :

Outdoor Landscape lighting such as hotels, shopping malls, buildings and bridges.

CaNaRa
Lighting
GLOBAL ILLUMINATORS

Canara High quality LED flood light consist of LED's, support a variety of light distribution for different applications, including flood lighting and façade lighting.

FEATURES

- Adopts original LED light source, high flux output, excellent consistency of light color ; constant current driver with PWM gray control installed inside.
- Light body adopts high pressure die-casting aluminium, surface with electrostatic plastic coating.
- Lampshade adopts high strength toughened glass, resist the impact and friction.
- Environmental friendly and free from UV, IR or Mercury.

SPECIFICATIONS

Power : 15W/20w

Power Supply : AC100-240V, 50/60HZ/DC

Color Temperature : RGBW / Single Color

Power Factor : > 0.9

Beam angle :10°/15°/20°/30°/45°/60°

Protection rating : IP66

Control : DMX 512

LED lifetime : 50000 hours

Body : Die-cast aluminium casing

Dimension : ϕ 110x270mm



Product Code : CAN LED SP15



Applications :

Outdoor Landscape lighting such as hotels, shopping malls, buildings and bridges etc.

CaNaRa
Lighting
GLOBAL ILLUMINATORS

Canara High quality LED flood light consist of LED's, support a variety of light distribution for different applications, including flood lighting and façade lighting.

FEATURES

- Adopts original LED light source, high flux output, excellent consistency of light color ; constant current driver with PWM gray control installed inside.
- Light body adopts high pressure die-casting aluminium, surface with electrostatic plastic coating.
- Lampshade adopts high strength toughened glass, resist the impact and friction.
- Environmental friendly and free from UV, IR or Mercury.

SPECIFICATIONS

Power : 24W /30W

Power Supply : AC100-240V, 50/60HZ/DC

Color Temperature : RGBW / Single Color

Power Factor : > 0.9

Beam angle :10°/15°/20°/30°/45°/ 60°

Protection rating : IP66

Control : DMX 512

LED lifetime : 50000 hours

Body : Die-cast aluminium casing

Dimension : ϕ 110x270mm



Product Code : CAN LED SP24



Applications :

Outdoor Landscape lighting such as hotels, shopping malls, buildings and bridges etc.

CaNaRa
Lighting
GLOBAL ILLUMINATORS

Canara High quality LED flood light consist of LED's, support a variety of light distribution for different applications, including flood lighting and façade lighting.

FEATURES

- Adopts original LED light source, high flux output, excellent consistency of light color ; constant current driver with PWM gray control installed inside.
- Light body adopts high pressure die-casting aluminium, surface with electrostatic plastic coating.
- Lampshade adopts high strength toughened glass, resist the impact and friction.
- Environmental friendly and free from UV, IR or Mercury.

SPECIFICATIONS

Power : 36W

Power Supply : AC100-277V, 50/60HZ/DC

Color Temperature : RGBW / Single Color

Power Factor : > 0.9

Beam angle :10°/15°/20°/30°/45°/ 60°

Protection rating : IP66

Control : DMX 512

LED lifetime : 50000 hours

Body : Die-cast aluminium casing

Dimension : ϕ 120x300mm



Product Code : CAN LED SP36



Applications :

Outdoor Landscape lighting such as hotels, shopping malls, buildings and bridges etc.

CaNaRa
Lighting
GLOBAL ILLUMINATORS

Canara High quality LED flood light consist of LED's, support a variety of light distribution for different applications, including flood lighting and façade lighting.

FEATURES

- Adopts original LED light source, high flux output, excellent consistency of light color ; constant current driver with PWM gray control installed inside.
- Light body adopts high pressure die-casting aluminium, surface with electrostatic plastic coating.
- Lampshade adopts high strength toughened glass, resist the impact and friction.
- Environmental friendly and free from UV, IR or Mercury.

SPECIFICATIONS

Power : 50W

Power Supply : AC100-277V, 50/60HZ/DC

Color Temperature : RGBW / Single Color

Power Factor : > 0.9

Beam angle :10°/15°/20°/30°/45°/ 60°

Protection rating : IP66

Control : DMX 512

LED lifetime : 50000 hours

Body : Die-cast aluminium casing



Product Code : CAN LED SP48



Applications :

Outdoor Landscape lighting such as hotels, shopping malls, buildings and bridges etc.

Canara High quality LED flood light consist of LED's, support a variety of light distribution for different applications, including flood lighting and façade lighting.

FEATURES

- Adopts original LED light source, high flux output, excellent consistency of light color ; constant current driver with PWM gray control installed inside.
- Light body adopts high pressure die-casting aluminium, surface with electrostatic plastic coating.
- Lampshade adopts high strength toughened glass, resist the impact and friction.
- Environmental friendly and free from UV, IR or Mercury.

SPECIFICATIONS

Power : 60W

Power Supply : AC100-277V, 50/60HZ

Color Temperature : RGBW / Single Color

Power Factor : > 0.9

Beam angle :10°/15°/20°/30°/45°/ 60°

Protection rating : IP66

Control : DMX 512

LED lifetime : 50000 hours

Body : Die-cast aluminium casing



Product Code : CAN LED SP60



Applications :

Outdoor Landscape lighting such as hotels, shopping malls, buildings and bridges etc.

Canara High quality LED flood light consist of LED's, support a variety of light distribution for different applications, including flood lighting and façade lighting.

FEATURES

- Adopts original LED light source, high flux output, excellent consistency of light color ; constant current driver with PWM gray control installed inside.
- Light body adopts high pressure die-casting aluminium, surface with electrostatic plastic coating.
- Lampshade adopts high strength toughened glass, resist the impact and friction.
- Environmental friendly and free from UV, IR or Mercury.

SPECIFICATIONS

Power : 80W

Power Supply : AC100-277V, 50/60HZ/DC

Color Temperature : RGBW / Single Color

Power Factor : > 0.9

Beam angle :10°/15°/20°/30°/45°

Protection rating : IP66

Control : DMX 512

LED lifetime : 50000 hours

Body : Die-cast aluminium casing



Product Code : CAN LED SP80



Applications :

Outdoor Landscape lighting such as hotels, shopping malls, buildings and bridges etc.

CaNaRa
Lighting
GLOBAL ILLUMINATORS

Canara High quality LED flood light consist of LED's, support a variety of light distribution for different applications, including flood lighting and façade lighting.

FEATURES

- Adopts original LED light source, high flux output, excellent consistency of light color ; constant current driver with PWM gray control installed inside.
- Light body adopts high pressure die-casting aluminium, surface with electrostatic plastic coating.
- Lampshade adopts high strength toughened glass, resist the impact and friction.
- Environmental friendly and free from UV, IR or Mercury.

SPECIFICATIONS

Power : 100W

Power Supply : AC100-277V, 50/60HZ

Color Temperature : RGBW / Single Color

Power Factor : > 0.9

Beam angle :10°/15°/20°/30°/45°

Protection rating : IP66

Control : DMX 512

LED lifetime : 50000 hours

Body : Die-cast aluminium casing



Product Code : CAN LED SP100



Applications :

Outdoor Landscape lighting such as hotels, shopping malls, buildings and bridges etc.

CaNaRa
Lighting
GLOBAL ILLUMINATORS

Canara High quality LED flood light consist of LED's, support a variety of light distribution for different applications, including flood lighting and façade lighting.

FEATURES

- Adopts original LED light source, high flux output, excellent consistency of light color ; constant current driver with PWM gray control installed inside.
- Light body adopts high pressure die-casting aluminium, surface with electrostatic plastic coating.
- Lampshade adopts high strength toughened glass, resist the impact and friction.
- Environmental friendly and free from UV, IR or Mercury.

SPECIFICATIONS

Power : 120W

Power Supply : AC100-277V, 50/60HZ

Color Temperature : RGBW / Single Color

Power Factor : > 0.9

Beam angle :10°/15°/20°/30°/45°

Protection rating : IP66

Control : DMX 512

LED lifetime : 50000 hours

Body : Die-cast aluminium casing



Product Code : CAN LED SP120



Applications :

Outdoor Landscape lighting such as hotels, shopping malls, buildings and bridges etc.

CaNaRa
Lighting
GLOBAL ILLUMINATORS

Canara High quality LED flood light consist of LED's, support a variety of light distribution for different applications, including flood lighting and façade lighting.

FEATURES

- Adopts original LED light source, high flux output, excellent consistency of light color ; constant current driver with PWM gray control installed inside.
- Light body adopts high pressure die-casting aluminium, surface with electrostatic plastic coating.
- Lampshade adopts high strength toughened glass, resist the impact and friction.
- Environmental friendly and free from UV, IR or Mercury.

SPECIFICATIONS

Power : 150W

Power Supply : AC100-277V, 50/60HZ

Color Temperature : RGBW / Single Color

Power Factor : > 0.9

Beam angle :10°/15°/20°/30°/45°

Protection rating : IP66

Control : DMX 512

LED lifetime : 50000 hours

Body : Die-cast aluminium casing



Product Code : CAN LED SP150



Applications :

Outdoor Landscape lighting such as hotels, shopping malls, buildings and bridges etc.

CaNaRa
Lighting
GLOBAL ILLUMINATORS

Canara High quality LED flood light consist of LED's, support a variety of light distribution for different applications, including flood lighting and façade lighting.

FEATURES

- Adopts original LED light source, high flux output, excellent consistency of light color ; constant current driver with PWM gray control installed inside.
- Light body adopts high pressure die-casting aluminium, surface with electrostatic plastic coating.
- Lampshade adopts high strength toughened glass, resist the impact and friction.
- Environmental friendly and free from UV, IR or Mercury.

SPECIFICATIONS

Power : 180W

Power Supply : AC100-277V, 50/60HZ

Color Temperature : RGBW / Single Color

Power Factor : > 0.9

Beam angle :10°/15°/20°/30°/45°

Protection rating : IP66

Control : DMX 512

LED lifetime : 50000 hours

Body : Die-cast aluminium casing



Product Code : CAN LED SP180



Applications :

Outdoor Landscape lighting such as hotels, shopping malls, buildings and bridges etc.

CaNaRa
Lighting
GLOBAL ILLUMINATORS

Canara High quality LED flood light consist of LED's, support a variety of light distribution for different applications, including flood lighting and façade lighting.

FEATURES

- Adopts original LED light source, high flux output, excellent consistency of light color ; constant current driver with PWM gray control installed inside.
- Light body adopts high pressure die-casting aluminium, surface with electrostatic plastic coating.
- Lampshade adopts high strength toughened glass, resist the impact and friction.
- Environmental friendly and free from UV, IR or Mercury.

SPECIFICATIONS

Power : 200W

Power Supply : AC100-277V, 50/60HZ

Color Temperature : RGBW / Single Color

Power Factor : > 0.9

Beam angle :10°/15°/20°/30°/45°

Protection rating : IP66

Control : DMX 512

LED lifetime : 50000 hours

Body : Die-cast aluminium casing



Product Code : CAN LED SP200



Applications :

Outdoor Landscape lighting such as hotels, shopping malls, buildings and bridges etc.

CaNaRa
Lighting
GLOBAL ILLUMINATORS

LED STRIP LIGHT

SL.NO.	CODE	DESCRIPTION
01.	CAN LED WW5	LED STRIP LIGHT – 5W
02.	CAN LED WW10	LED STRIP LIGHT – 10W
03.	CAN LED WW15	LED STRIP LIGHT – 15W
04.	CAN LED WW18	LED STRIP LIGHT – 18W
05.	CAN LED WW15	LED STRIP LIGHT – WW15 NEON

Canara LED Strip SMD type, having professionally designed circuit makes good protection for components, soft & flexible as wire comes with different cut lengths.

FEATURES

- Available in standard length of 5m and cut points every 100mm.
- Efficiency > 80lm/W and CRI > 80.
- This Light can be shaped according to the design requirements.
- Allows creating longer installations without voltage drops.
- Additional connectors and cables available for different application.

SPECIFICATIONS

LED power : 5W/Meter

Power Supply : 12V/24Vdc

Color Temperature : 2700-6500K/RGBW

LED Chip : SMD 3528

LEDs per meter : 60/120LEDs

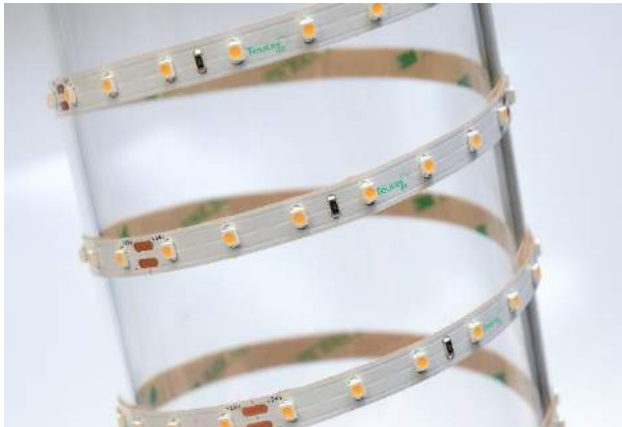
Protection rating : IP20/IP65

Fixture : Self Adhesive

Beam Angle : 120°

Estimated Life : 50,000 hours

Accessory : Aluminum profile, Diffuser



Product Code : CAN LED ww5



Applications :

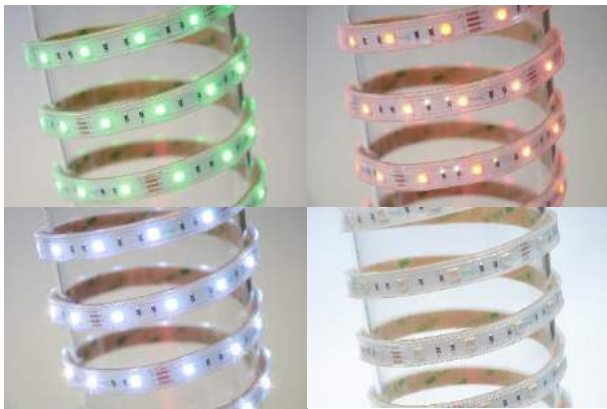
Decorative lighting for Residential, commercial & Outdoor Lighting, Advertising Boards, Signage etc.,

CaNaRa
Lighting
GLOBAL ILLUMINATORS

Canara LED Strip SMD type, having professionally designed circuit makes good protection for components, soft & flexible as wire comes with different cut lengths.

FEATURES

- Available in standard length of 5m and cut points every 100mm.
- This Light can be shaped according to the design requirements.
- Allows creating longer installations without voltage drops.
- Additional connectors and cables available for different application.



Product Code : CAN LED WW10



Applications :

Decorative lighting for Residential, commercial & Outdoor Lighting, Advertising Boards, Signage etc.,

SPECIFICATIONS

LED power : 10W LED/Meter

Power Supply : 12V/24V DC

Color Temperature : 2700-6500K/RGBW

LED Chip : SMD 5050/SMD 3528

LEDs per meter : 60/120LEDs

Protection rating : IP65/IP20

Fixture : Self Adhesive

Beam Angle : 120°

Estimated Life : 50,000 hours

Accessory : Aluminum profile, Diffuser



Canara LED Strip SMD type, having professionally designed circuit makes good protection for components, soft & flexible as wire comes with different cut lengths.

FEATURES

- Available in standard length of 5m and cut points every 100mm.
- Efficiency > 80lm/W and CRI > 80.
- This Light can be shaped according to the design requirements.
- Allows creating longer installations without voltage drops.
- Additional connectors and cables available for different application.

SPECIFICATIONS

LED power : 15W/Meter

Power Supply : 12V/24V DC

Color Temperature : 2700K-6500K/RGBW

LED Chip : SMD 5050/SMD 3528

LEDs per meter : 60/120LEDs

Protection rating : IP20/IP65

Fixture : Self Adhesive

Beam Angle : 120°

Estimated Life : 50,000 hours

Accessory : Aluminum profile, Diffuser



Product Code : CAN LED WW15



Applications :

Decorative lighting for Residential, commercial & Outdoor Lighting, Advertising Boards, Signage etc.,



Canara LED Strip SMD Type, having professionally designed circuit makes good protection for components, soft & flexible as wire comes with different cut lengths.

FEATURES

- Available in standard length of 5m and cut points every 100mm.
- Efficiency > 80lm/W and CRI > 80.
- This Light can be shaped according to the design requirements.
- Allows creating longer installations without voltage drops.
- Additional connectors and cables available for different application.

SPECIFICATIONS

LED power : 18W/Meter

Power Supply : 12V/24V DC

Color Temperature : 2700K-6500K/RGBW

LED Chip : SMD 5050/SMD 3528

LEDs per meter : 60/120LEDs

Protection rating : IP20/IP65

Fixture : Self Adhesive

Beam Angle : 120°

Estimated Life : 50,000 hours

Accessory : Aluminum profile, Diffuser



Product Code : CAN LED WW18



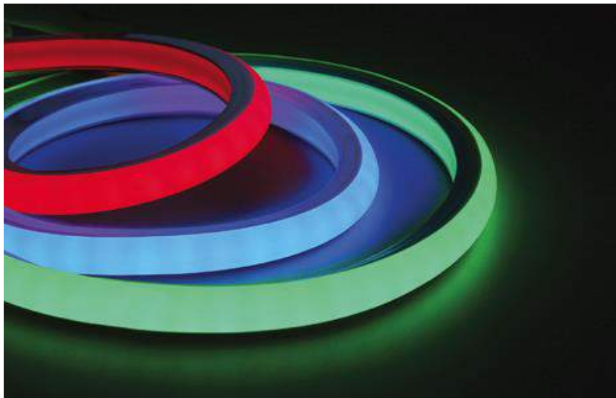
Applications :

Decorative lighting for Residential, commercial & Outdoor Lighting, Advertising Boards, Signage etc.,

Canara flexible LED neon strip lights are ideal replacement for seamless lighting application, marked with different intervals and where it could be cut into custom lengths or spliced together into different colored LED neon segments etc.,

FEATURES

- Seamless & uniform light distribution.
- Easy installation & comes with the different cut lengths.
- Can be shaped according to the design requirements.
- Comprised of eco-friendly and UV-resistant PVC material.
- High water resistant and could be located near water without the concern of electrical hazards.



Product Code : CAN LED WW12/WW15



Applications :

Suitable for indoor and outdoor architectural and landscape lighting, including bridges, sculptures, building contours, walkways etc.,

SPECIFICATIONS

LED power : 10/15/20W / meter

Power Supply : 12V/24V DC

Color Temperature : RGBW/3000K-5600K

Protection rating : IP65/IP67

Control : DMX 512/Manual

Accessory : Aluminium profile



RGB Multi-Color Change

LED SPIKE LIGHT

SL.NO.	CODE	DESCRIPTION
01.	CAN LED SPK6RGBWA	LED SPIKE LIGHT – 6W
02.	CAN LED SPK9RGBWA	LED SPIKE LIGHT – 9W
03.	CAN LED SPK9RGB	LED SPIKE LIGHT – 9W
04.	CAN LED SPK3RGB	LED SPIKE LIGHT – 3W
05.	CAN LED SPK6WW	LED SPIKE LIGHT – 6W
06.	CAN LED SPK11WW	LED SPIKE LIGHT – 11W

Canara LED spot Light with Versatile mounting options will be used widely in gardens and outdoor areas comes with spike mount kit for gardens or attached to walls with the surface mounting kit. Also with the different mounting features and fully adjustable swivel connection to direct the light where you need it with the choice of flood/spot lenses.

FEATURES

- Integrating LED technology with the traditional garden spike light.
- Having die-casted aluminium body, extruded aluminium spike with LED's, gives high output with less power consumption.
- Surface anti-ageing electrostatic spray finishing and super white tempered glass gives more life and more output for the lights.
- Suitable for outdoor application & capable of withstanding wet weather conditions, allowing you flexibility in positioning.
- Cost effective and time saving rapid tool free installation.
- Highly efficient and glare free.



Product Code : CAN LED SPK6RGBWA

Applications :

Perfect for lighting trees, Shrubs and Water features etc.

SPECIFICATIONS

LED power : 6W LED

Power Supply : 100 – 240V AC, 50-60Hz

Optical system : Super white tempered glass

Color : RGBWA

Protection rating : IP65

Beam angle : 15°/25°/30°/60°

Installation : On ground/Surface mounting

Material : Die casted/Extruded aluminium body

Weight : 0.35 Kg

Dimension : ø43.5 x L225 x W73 mm

Accessories : Spike & Hood.



CaNaRa
Lighting
GLOBAL ILLUMINATORS

Canara LED spot Light with Versatile mounting options will be used widely in gardens and outdoor areas comes with spike mount kit for gardens or attached to walls with the surface mounting kit. Also with the different mounting features and fully adjustable swivel connection to direct the light where you need it with the choice of flood/spot lenses.

FEATURES

- Integrating LED technology with the traditional garden spike light.
- Having die-casted aluminium body, extruded aluminium spike with LED's, gives high output with less power consumption.
- Surface anti-ageing electrostatic spray finishing and super white tempered glass gives more life and more output for the lights.
- Suitable for outdoor application & capable of withstanding wet weather conditions, allowing you flexibility in positioning.
- Cost effective and time saving rapid tool free installation.
- Highly efficient and glare free.



Product Code : CAN LED SPK9RGBWA

Applications :

Perfect for lighting trees, Shrubs and Water features etc.

SPECIFICATIONS

LED power : 9W LED

Power Supply : 100 – 240V AC, 50-60Hz

Optical system : Super white tempered glass

Color : RGBWA

Protection rating : IP65

Beam angle : 15°/25°/30°/60°

Installation : On ground/Surface mounting

Material : Die casted/Extruded aluminium body

Weight : 0.3 Kg

Dimension : ø61.5 x L217.5 x W103 mm

Accessories : Bracket & Ground Spike.



CaNaRa
Lighting
GLOBAL ILLUMINATORS

Canara LED spot Light with Versatile mounting options will be used widely in gardens and outdoor areas comes with spike mount kit for gardens or attached to walls with the surface mounting kit. Also with the different mounting features and fully adjustable swivel connection to direct the light where you need it with the choice of flood/spot lenses.

FEATURES

- Integrating LED technology with the traditional garden spike light.
- Having anodized aluminium body, extruded aluminium spike with full color LED's, gives high output with less power consumption.
- PMMA Lens, Tempered glass diffuser gives more output for the lights.
- Suitable for outdoor application & capable of withstanding wet weather conditions, allowing you flexibility in positioning.
- Cost effective and time saving rapid tool free installation.
- Highly efficient and glare free.



Product Code : CAN LED SPK9RGB

Applications :

- Outdoor
- Outdoor Projection

SPECIFICATIONS

LED power : 9W LED

Power Supply : 24Vdc

Optical system : PMMA Lens, Tempered glass Diffuser

Color : RGB

Protection rating : IP67

Beam angle : 40°

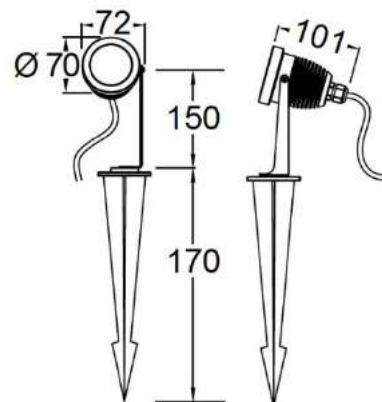
Installation : On ground/Surface mounting

Material : Anodized aluminium body

LED Lifetime : 50,000 Hrs

Fixture Dimension : $\phi 70$ x L101 mm

Accessories : Bracket & Ground Spike.



CaNaRa
Lighting
GLOBAL ILLUMINATORS

Canara LED spot Light with Versatile mounting options will be used widely in gardens and outdoor areas comes with spike mount kit for gardens or attached to walls with the surface mounting kit. Also with the different mounting features and fully adjustable swivel connection to direct the light where you need it with the choice of flood/spot lenses.

FEATURES

- Integrating LED technology with the traditional garden spike light.
- Having die-casted aluminium body, extruded aluminium spike with LED's, gives high output with less power consumption.
- Surface anti-ageing electrostatic spray finishing and super white tempered glass gives more life and more output for the lights.
- Suitable for outdoor application & capable of withstanding wet weather conditions, allowing you flexibility in positioning.
- Cost effective and time saving rapid tool free installation.
- Highly efficient and glare free.



Product Code : CAN LED SPK3RGB

Applications :

- Outdoor
- Outdoor Projection

SPECIFICATIONS

LED power : 3W LED

Power Supply : 24Vdc

Optical system : PMMA lens, Tempered Glass diffuser

Color : RGB

Protection rating : IP67

Beam angle : 40°

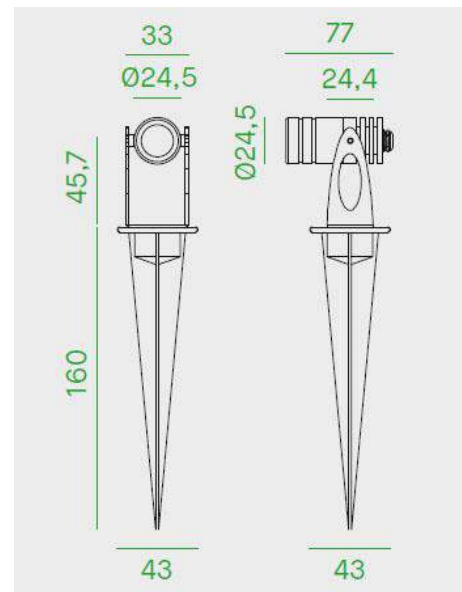
Installation : On ground/Surface mounting

Material : Anodized aluminum body

LED Lifetime : 50,000 Hrs

Fixture Dimension : $\varnothing 24.5 \times L77$ mm

Accessories : Bracket & Ground Spike.



Canara LED spot Light with Versatile mounting options will be used widely in gardens and outdoor areas comes with spike mount kit for gardens or attached to walls with the surface mounting kit. Also with the different mounting features and fully adjustable swivel connection to direct the light where you need it with the choice of flood/spot lenses.

FEATURES

- Integrating LED technology with the traditional garden spike light.
- Having anodized aluminium body, extruded aluminium spike with LED's, gives high output with less power consumption.
- Suitable for outdoor application & capable of withstanding wet weather conditions, allowing you flexibility in positioning.
- Cost effective and time saving rapid tool free installation.
- Highly efficient and glare free.



SPECIFICATIONS

LED power : 6W LED

Power Supply : 24Vdc

Color temperature : 3000/4000K

CRI : 83

Protection rating : IP68

Beam angle : 15°/40°/60°

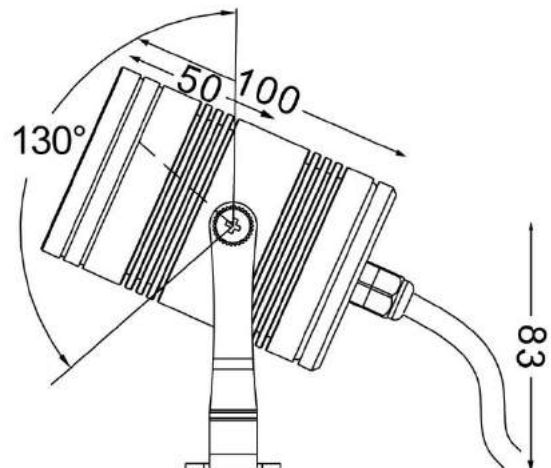
Installation : On ground , wall or Ceiling

Product finish : Aluminium body

LED Lifetime : 50,000 Hrs

Fixture Dimension : \varnothing

Accessories : Bracket & Ground spike.



Product Code : CAN LED SPK6WW

Applications :

- Outdoor
- Outdoor Projection system



CaNaRa
Lighting
GLOBAL ILLUMINATORS

Canara LED spot Light with Versatile mounting options will be used widely in gardens and outdoor areas comes with spike mount kit for gardens or attached to walls with the surface mounting kit. Also with the different mounting features and fully adjustable swivel connection to direct the light where you need it with the choice of flood/spot lenses.

FEATURES

- Integrating LED technology with the traditional garden spike light.
- Having anodized aluminium body, extruded aluminium spike with LED's, gives high output with less power consumption.
- Suitable for outdoor application & capable of withstanding wet weather conditions, allowing you flexibility in positioning.
- Cost effective and time saving rapid tool free installation.
- Highly efficient and glare free.



Product Code : CAN LED SPK11WW

Applications :

- Outdoor
- Outdoor Projection system

SPECIFICATIONS

LED power : 11W LED

Power Supply : 24Vdc

Color temperature : 3000/4000K

CRI : 83

Protection rating : IP68

Beam angle : 20°/30°/60°

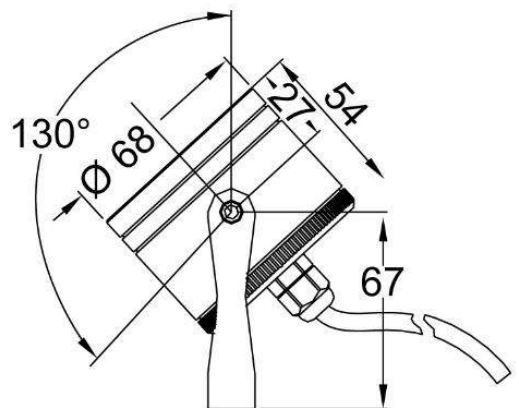
Installation : On ground , wall or Ceiling

Product finish : Aluminium body

LED Lifetime : 50,000 Hrs

Fixture Dimension : $\varnothing 68$ x L54 mm

Accessories : Bracket & Ground spike.



LED PILLAR SPOT LIGHT

SL.NO.	CODE	DESCRIPTION
01.	CAN LED PSL12	LED PILLAR SPOT LIGHT – 12W
02.	CAN LED PSLG24	LED PILLAR SPOT LIGHT – 24W
03.	CAN LED PSL24	LED PILLAR SPOT LIGHT – 24W

Canara high quality surface mounted LED wall light gives highly decorative look for pillars and architectural cutouts in the buildings. Fixture is made up of steel/aluminium body with professionally designed reflector/ lenses to achieve the reduced glare and stray light.

FEATURES

- Low power LED light source.
- Available in a choice of warm white (3000K) or neutral white (4000K) or Day white (6000K).
- High output with less power consumption.
- High corrosion resistance through chemical chromated protection before powder coating.
- Highly efficient and glare free.
- Excellent visual and comfort.
- Unique body design.
- Maintenance free fixture.



Product Code : CAN LED PSL12

Applications :

Commercial, Hospitality & Residential application etc.,

SPECIFICATIONS

LED power : 12W COB LED

Power Supply : 100 – 240V AC, 50-60Hz

Color temperature : 3000K/4000K/6000K

Protection rating : IP65

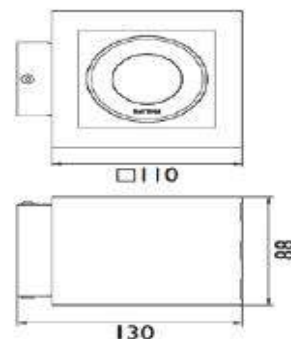
Luminous flux : >100LM/W

Installation : Wall Surface mounting

Material : Steel and aluminum body

Dimension : ϕ 120 x H 222 mm

Weight : 0.85 Kg



CaNaRa
Lighting

GLOBAL ILLUMINATORS

Canara high quality surface mounted LED wall light gives highly decorative look for pillars and architectural cutouts in the buildings. Fixture is made up of steel/aluminium body with professionally designed reflector/ lenses to achieve the reduced glare and stray light.

FEATURES

- Low power LED light source.
- Available in a choice of warm white (3000K) or neutral white (4000K) or Day white (6000K).
- High output with less power consumption.
- High corrosion resistance through chemical chromated protection before powder coating.
- Highly efficient and glare free.
- Excellent visual and comfort.
- Unique body design.
- Maintenance free fixture.



Product Code : CAN LED GPSL24

Applications :

Commercial, Hospitality & Residential application etc.,

SPECIFICATIONS

LED power : 24W COB LED

Power Supply : 100 – 240V AC, 50-60Hz

Color temperature : 3000K/4000K/6000K

Protection rating : IP65

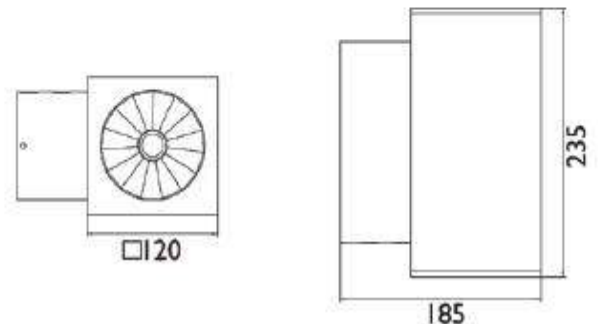
Luminous flux : >100LM/W

Installation : Wall Surface mounting

Material : Steel and aluminum body

Dimension : W 120 x H 235 mm

Weight : 2.5 Kg



CaNaRa
Lighting
GLOBAL ILLUMINATORS

Canara high quality surface mounted LED wall light gives highly decorative look for pillars and architectural cutouts in the buildings. Fixture is made up of steel/aluminium body with professionally designed reflector/ lenses to achieve the reduced glare and stray light.

FEATURES

- Low power LED light source.
- Available in a choice of warm white (3000K) or neutral white (4000K) or Day white (6000K).
- High output with less power consumption.
- High corrosion resistance through chemical chromated protection before powder coating.
- Highly efficient and glare free.
- Excellent visual and comfort.
- Unique body design.
- Maintenance free fixture.



Product Code : CAN LED PSL24

SPECIFICATIONS

LED power : 24W COB LED

Power Supply : 100 – 240V AC, 50-60Hz

Color temperature : 3000K/4000K/6000K

Protection rating : IP65

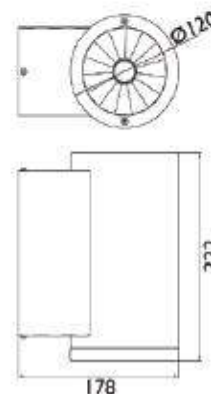
Luminous flux : >100LM/W

Installation : Wall Surface mounting

Material : Steel and aluminum body

Dimension : ϕ 120 x H 222 mm

Weight : 2.5 Kg



Applications :

Commercial, Hospitality & Residential application etc.,



CaNaRa
Lighting
GLOBAL ILLUMINATORS

SURFACE MOUNTED LED LIGHT

SL.NO.	CODE	DESCRIPTION
01.	CAN LED SMA8	SURFACE MOUNTED LED LIGHT – 8W
02.	CAN LED SMB8	SURFACE MOUNTED LED LIGHT – 8W
03.	CAN LED PM12	SURFACE MOUNTED LED LIGHT – 12W

Canara High quality surface mounted LED wall light with sharp and bright edge gives highly decorative look for building surfaces. Fixture is made up of die casted/extruded aluminium with professionally designed lenses to achieve the reduced glare and stray light.

FEATURES

- Low-power high bright LED light source.
- High corrosion resistance through chemical chromated protection before powder coating.
- Highly efficient, reduced stray effect and glare free.
- Excellent visual and comfort.
- Unique body design & light effect.
- Maintenance free fixture.

SPECIFICATIONS

LED power : 8W LED

Power Supply : 100 – 240V AC, 50-60Hz

Color temperature : RGBWA

Protection rating : IP65 ; IK03

Luminous flux : > 100LM/W

Installation : wall-surface mounting

Material : Steel and aluminum body

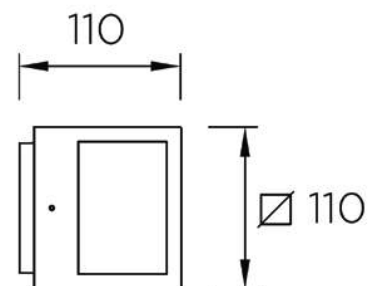
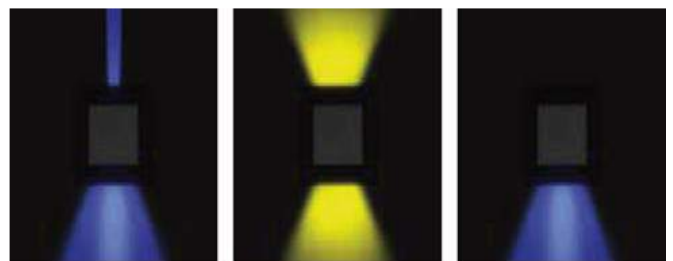
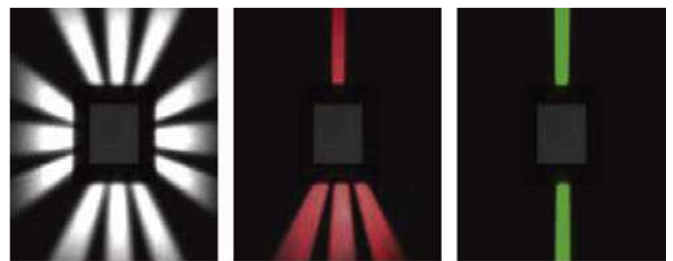
Dimension : L 110 x W 110 mm



Product Code : CAN LED SMA8

Applications :

Decorative wall lighting for commercial, Hospitality & Residential application etc.,



CaNaRa
Lighting
GLOBAL ILLUMINATORS

Canara High quality surface mounted LED wall light with sharp and bright edge gives highly decorative look for building surfaces. Fixture is made up of die casted/extruded aluminium with professionally designed lenses to achieve the reduced glare and stray light.

FEATURES

- Low-power high bright LED light source.
- Available in a choice of warm white (3000K), neutral white (4000K) or pure white (6000K).
- High corrosion resistance through chemical chromated protection before powder coating.
- Highly efficient, reduced stray effect and glare free.
- Excellent visual and comfort.
- Unique body design & light effect.
- Maintenance free fixture.



Product Code : CAN LED SMB8

Applications :

Decorative wall lighting for commercial, Hospitality & Residential application etc.,

SPECIFICATIONS

LED power : 8W LED

Power Supply : 100 – 240V AC, 50-60Hz

Color temperature : 3000K/4000K/6000K

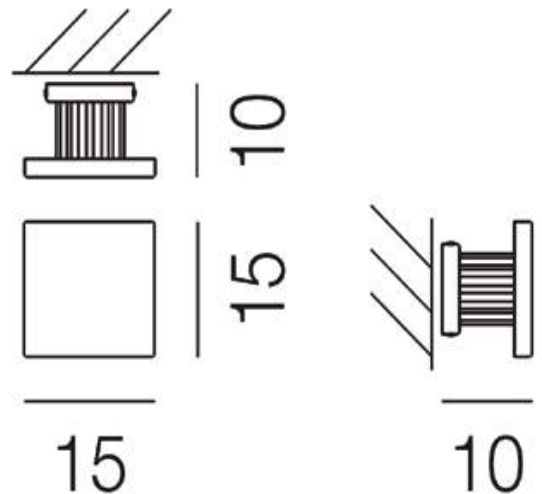
Protection rating : IP65

Luminous flux : >100LM/W

Installation : wall-surface mounting

Material : Steel and aluminium body

Dimension : L 15 x W 15 x H 10 mm



Canara High quality surface mounted LED wall light with sharp and bright edge gives highly decorative look for building surfaces. Fixture is made up of die casted/extruded aluminium with professionally designed lenses to achieve the reduced glare and stray light.

FEATURES

- Low-power high bright LED light source.
- Available in a choice of warm white (3000K), neutral white (4000K) or pure white (6000K).
- High corrosion resistance through chemical chromated protection before powder coating.
- Highly efficient, reduced stray effect and glare free.
- Excellent visual and comfort.
- Unique body design & light effect.
- Maintenance free fixture.



SPECIFICATIONS

LED power : 12W LED

Power Supply : 100 – 240V AC, 50-60Hz

Color temperature : 3000K/4000K/6000K

Protection rating : IP65

Luminous flux : > 100LM/W

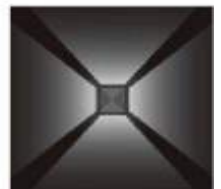
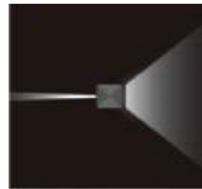
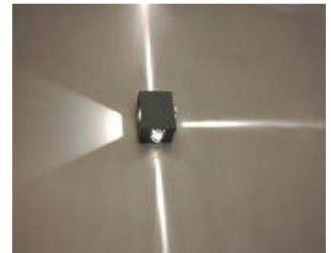
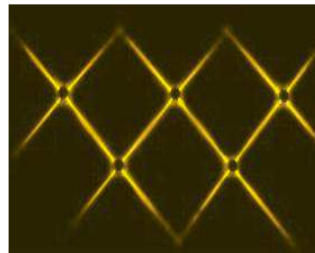
Beam angle : 8°/15°/25° or adjustable

Installation : wall-surface mounting

Material : Extruded aluminum body

Dimension : L 100 x W 100 x W 55 mm

Weight : 0.3 Kg



Product Code : CAN LED SM12

Applications :

Decorative wall lighting for commercial, Hospitality & Residential application etc.,



LED TRACK LIGHT

SL.NO.	CODE	DESCRIPTION
01.	CAN LED TL1-10	LED TRACK LIGHT – 10W
02.	CAN LED TL1-20	LED TRACK LIGHT – 20W
03.	CAN LED TL1-30	LED TRACK LIGHT – 30W
04.	CAN LED TL1-40	LED TRACK LIGHT – 40W
05.	CAN LED TL2-10	LED TRACK LIGHT – 10W
06.	CAN LED TL2-20	LED TRACK LIGHT – 20W
07.	CAN LED TL2-30	LED TRACK LIGHT – 30W
08.	CAN LED TL3-30	LED TRACK LIGHT – 30W
09.	CAN LED TL3-70	LED TRACK LIGHT – 70W
10.	CAN LED TLAB30 CAN LED TLAB40	LED TRACK LIGHT – 30/40W
11.	CAN LED TL15	LED TRACK LIGHT – 15W
12.	CAN LED TL30	LED TRACK LIGHT – 30W
13.	CAN LED TL42	LED TRACK LIGHT – 42W

High quality LED track light with high color rendering index, displays the true color of the product and well-designed adjustable angle provides perfect lighting for various applications and also excellent heat dissipation structure essentially engineered for long life.

FEATURES

- Uses international top brand COB light source with high CRI>80 and consistency in color temperature over the long period of time.
- Die casted aluminium housing with plated chrome, black and gold finish.
- Deeply recessed reflector design greatly reduces glare and stray light.
- Angle-adjustable design provides perfect lighting solution to various applications.
- Diverse options for light combination and lens are available , meeting requirements in all kinds of applications.
- Simple installation and easy maintenance.

SPECIFICATIONS

LED power : 10W COB LED

Power Supply : 180 – 240V AC, 50-60Hz

Color temperature : 3000K/4000K/6000K

CRI : >80

Protection rating : IP20

Beam angle : 15°/24°/36°/45°/60°

Rotation : PAN-350°, Tilt-90°

Paint/Color : Plated Chrome, Black and Gold

Housing : Die-cast aluminium

Dimension : ø55 x L 82 x H 230 mm



Product Code : CAN LED TL1-10

Applications :

Museums, Art Galleries, Shopping malls,
Display outlets etc.,



CaNaRa
Lighting

GLOBAL ILLUMINATORS

High quality LED track light with high color rendering index, displays the true color of the product and well-designed adjustable angle provides perfect lighting for various applications and also excellent heat dissipation structure essentially engineered for long life.

FEATURES

- Uses international top brand COB light source with high CRI>80 and consistency in color temperature over the long period of time.
- Die casted aluminium housing with plated chrome, black and gold finish.
- Deeply recessed reflector design greatly reduces glare and stray light.
- Angle-adjustable design provides perfect lighting solution to various applications.
- Diverse options for light combination and lens are available , meeting requirements in all kinds of applications.
- Simple installation and easy maintenance.



Product Code : CAN LED TL1-20

Applications :

Museums, Art Galleries, Shopping malls, Display outlets etc.,

SPECIFICATIONS

LED power : 20W COB LED

Power Supply : 180– 240V AC, 50-60Hz

Color temperature : 3000K/4000K/6000K

CRI : > 80

Protection rating : IP20

Beam angle : 15°/24°/36°/45°/60°

Rotation : PAN-350°, Tilt-90°

Paint/Color : Plated Chrome, Black and Gold

Housing : Die-cast aluminium

Dimension : ϕ 74 x L 82 x H 245 mm



CaNaRa
Lighting
GLOBAL ILLUMINATORS

High quality LED track light with high color rendering index, displays the true color of the product and well-designed adjustable angle provides perfect lighting for various applications and also excellent heat dissipation structure essentially engineered for long life.

FEATURES

- Uses international top brand COB light source with high CRI>80 and consistency in color temperature over the long period of time.
- Die casted aluminium housing with plated chrome, black and gold finish.
- Deeply recessed reflector design greatly reduces glare and stray light.
- Angle-adjustable design provides perfect lighting solution to various applications.
- Diverse options for light combination and lens are available , meeting requirements in all kinds of applications.
- Simple installation and easy maintenance.

SPECIFICATIONS

LED power : 30W COB LED

Power Supply : 180 – 240V AC, 50-60Hz

Color temperature : 3000K/4000K/6000K

CRI : >80

Protection rating : IP20

Beam angle : 15°/24°/36°/45°/60°

Rotation : PAN-350°, Tilt-90°

Paint/Color : Plated Chrome, Black and Gold

Housing : Die-cast aluminium

Dimension : ø90 x L 90 x H 282 mm



Product Code : CAN LED TL1-30

Applications :

Museums, Art Galleries, Shopping malls,
Display outlets etc.,



CaNaRa
Lighting

GLOBAL ILLUMINATORS

High quality LED track light with high color rendering index, displays the true color of the product and well-designed adjustable angle provides perfect lighting for various applications and also excellent heat dissipation structure essentially engineered for long life.

FEATURES

- Uses international top brand COB light source with high CRI>80 and consistency in color temperature over the long period of time.
- Die casted aluminium housing with plated chrome, black and gold finish.
- Deeply recessed reflector design greatly reduces glare and stray light.
- Angle-adjustable design provides perfect lighting solution to various applications.
- Diverse options for light combination and lens are available , meeting requirements in all kinds of applications.
- Simple installation and easy maintenance.



Product Code : CAN LED TL1-40

Applications :

Museums, Art Galleries, Shopping malls, Display outlets etc.,

SPECIFICATIONS

LED power : 40W COB LED

Power Supply : 180– 240V AC, 50-60Hz

Color temperature : 3000K/4000K/6000K

CRI : > 80

Protection rating : IP20

Beam angle : 15°/24°/36°/45°/60°

Rotation : PAN-350°, Tilt-90°

Paint/Color : Plated Chrome, Black and Gold

Housing : Die-cast aluminium

Dimension : ϕ 100 x L 106 x H 280 mm



CaNaRa
Lighting
GLOBAL ILLUMINATORS

High quality LED track light with high color rendering index, displays the true color of the product and well-designed adjustable angle provides perfect lighting for various applications and also excellent heat dissipation structure essentially engineered for long life.

FEATURES

- Uses international top brand COB light source with high CRI>80 and consistency in color temperature over the long period of time.
- Die casted aluminium housing with plated chrome, black and gold finish.
- Deeply recessed reflector design greatly reduces glare and stray light.
- Angle-adjustable design provides perfect lighting solution to various applications.
- Diverse options for light combination and lens are available , meeting requirements in all kinds of applications.
- Simple installation and easy maintenance.



Product Code : CAN LED TL2-10

Applications :

Museums, Art Galleries, Shopping malls, Display outlets etc.,

SPECIFICATIONS

LED power : 10W COB LED

Power Supply : 220 – 265V AC, 50-60Hz

Color temperature : 3000K/4000K/6000K

CRI : >80

Protection rating : IP20

Beam angle : 12°/24°

Rotation : PAN-350°, Tilt-90°

Paint/Color : Black and White

Housing : Die-cast aluminium

Dimension : ø55 x L 83 x H 240 mm



CaNaRa
Lighting

GLOBAL ILLUMINATORS

High quality LED track light with high color rendering index, displays the true color of the product and well-designed adjustable angle provides perfect lighting for various applications and also excellent heat dissipation structure essentially engineered for long life.

FEATURES

- Uses international top brand COB light source with high CRI>80 and consistency in color temperature over the long period of time.
- Die casted aluminium housing with plated chrome, black and gold finish.
- Deeply recessed reflector design greatly reduces glare and stray light.
- Angle-adjustable design provides perfect lighting solution to various applications.
- Diverse options for light combination and lens are available , meeting requirements in all kinds of applications.
- Simple installation and easy maintenance.



Product Code : CAN LED TL2-20

Applications :

Museums, Art Galleries, Shopping malls, Display outlets etc.,

SPECIFICATIONS

LED power : 20W COB LED

Power Supply : 220– 265V AC, 50-60Hz

Color temperature : 3000K/4000K/6000K

CRI : > 80

Protection rating : IP20

Beam angle : 12°/24°

Rotation : PAN-350°, Tilt-90°

Paint/Color : Plated Chrome, Black and Gold

Housing : Die-cast aluminium

Dimension : ϕ 74 x L 83 x H 260 mm



CaNaRa
Lighting
GLOBAL ILLUMINATORS

High quality LED track light with high color rendering index, displays the true color of the product and well-designed adjustable angle provides perfect lighting for various applications and also excellent heat dissipation structure essentially engineered for long life.

FEATURES

- Uses international top brand COB light source with high CRI>80 and consistency in color temperature over the long period of time.
- Die casted aluminium housing with plated chrome, black and gold finish.
- Deeply recessed reflector design greatly reduces glare and stray light.
- Angle-adjustable design provides perfect lighting solution to various applications.
- Diverse options for light combination and lens are available , meeting requirements in all kinds of applications.
- Simple installation and easy maintenance.



Product Code : CAN LED TL2-30

Applications :

Museums, Art Galleries, Shopping malls, Display outlets etc.,

SPECIFICATIONS

LED power : 30W COB LED

Power Supply : 220 – 265V AC, 50-60Hz

Color temperature : 3000K/4000K/6000K

CRI : >80

Protection rating : IP20

Beam angle : 12°/24°

Rotation : PAN-350°, Tilt-90°

Paint/Color : Plated Chrome, Black and Gold

Housing : Die-cast aluminium

Dimension : ϕ 74 x L 83 x H 260 mm



CaNaRa
Lighting

GLOBAL ILLUMINATORS

High quality LED track light with high color rendering index, displays the true color of the product and well-designed adjustable angle provides perfect lighting for various applications and also excellent heat dissipation structure essentially engineered for long life.

FEATURES

- Uses international top brand COB light source with high CRI>80 and consistency in color temperature over the long period of time.
- Die casted aluminium housing with plated chrome, black and gold finish.
- Deeply recessed reflector design greatly reduces glare and stray light.
- Angle-adjustable design provides perfect lighting solution to various applications.
- Diverse options for light combination and lens are available , meeting requirements in all kinds of applications.
- Simple installation and easy maintenance.



Product Code : CAN LED TL3-30

Applications :

Museums, Art Galleries, Shopping malls, Display outlets etc.,

SPECIFICATIONS

LED power : 30W COB LED

Power Supply : 180 – 240V AC, 50-60Hz

Color temperature : 3000K/4000K/6000K

CRI : > 80

Protection rating : IP20

Beam angle : 24°

Rotation : PAN-350°, Tilt-90°

Paint/Color : White

Housing : Die-cast aluminium

Dimension : ø155 x L 100 x H 230 mm



CaNaRa
Lighting
GLOBAL ILLUMINATORS

High quality LED track light with high color rendering index, displays the true color of the product and well-designed adjustable angle provides perfect lighting for various applications and also excellent heat dissipation structure essentially engineered for long life.

FEATURES

- Uses international top brand COB light source with high CRI>80 and consistency in color temperature over the long period of time.
- Die casted aluminium housing.
- Deeply recessed reflector design greatly reduces glare and stray light.
- Angle-adjustable design provides perfect lighting solution to various applications.
- Diverse options for light combination and lens are available , meeting requirements in all kinds of applications.
- Simple installation and easy maintenance.



Product Code : CAN LED TL3-70

Applications :

Museums, Art Galleries, Shopping malls, Display outlets etc.,

SPECIFICATIONS

LED power : 70W COB LED

Power Supply : 180 – 240V AC, 50-60Hz

Color temperature : 3000K/4000K/6000K

CRI : >80

Protection rating : IP20

Beam angle : 24°

Rotation : PAN-350°, Tilt-90°

Paint/Color : White

Housing : Die-cast aluminium

Dimension : ϕ 155 x L 100 x H 230 mm



CaNaRa
Lighting

GLOBAL ILLUMINATORS

High quality LED track light with high color rendering index, displays the true color of the product and well-designed adjustable angle provides perfect lighting for various applications and also excellent heat dissipation structure essentially engineered for long life.

FEATURES

- Uses international top brand COB light source with high CRI>80 and consistency in color temperature over the long period of time.
- Die casted aluminium housing with plated chrome, black and gold finish.
- Deeply recessed reflector design greatly reduces glare and stray light.
- Angle-adjustable design provides perfect lighting solution to various applications.
- Diverse options for light combination and lens are available , meeting requirements in all kinds of applications.
- Simple installation and easy maintenance.



**Product Code : CAN LED TLAB-30
CAN LED TLAB-40**

Applications :

**Museums, Art Galleries, Shopping malls,
Display outlets etc.,**

SPECIFICATIONS

LED power : 30W /40W LED

Power Supply : 220– 240V AC, 50-60Hz

Color temperature : 3000K/4000K/6000K

CRI : > 80

Protection rating : IP20

Beam angle : Adjustable from 20°-60°

Rotation : PAN-350°, Tilt-90°

Paint/Color : Black and White

Housing : Die-cast aluminium

Dimension : ϕ 101 x L 101 x H 270 mm



CaNaRa
Lighting
GLOBAL ILLUMINATORS

High quality LED track light with high color rendering index, displays the true color of the product and well-designed adjustable angle provides perfect lighting for various applications and also excellent heat dissipation structure essentially engineered for long life.

FEATURES

- Uses international top brand COB light source with high CRI>80 and consistency in color temperature over the long period of time.
- Die casted aluminium housing with black and white spray coating or polyester epoxy powder coat finish.
- Deeply recessed reflector design greatly reduces glare and stray light.
- Angle-adjustable design provides perfect lighting solution to various applications.
- Diverse options for light combination and lens are available , meeting requirements in all kinds of applications.
- Simple installation and easy maintenance.

SPECIFICATIONS

LED power : 15W LED

Power Supply : 100 – 240V AC, 50-60Hz

Color temperature : 3000K/4000K/6000K

CRI : >80

Protection rating : IP20

Beam angle : 15°/22°/48°/Customized

Rotation : PAN-355°, Tilt-95°

Paint/Color : White or Black

Housing : Die-cast aluminium

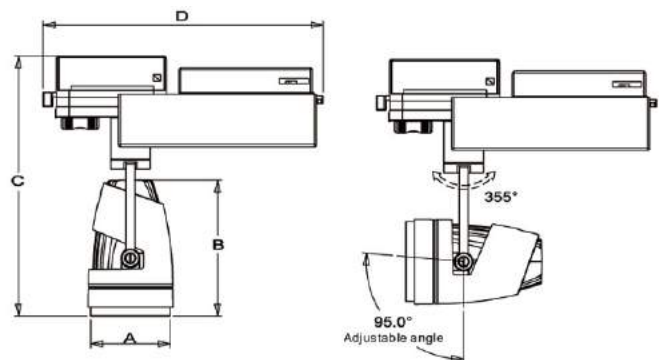
Weight : 0.59 Kg

Dimension : A - 64.5 mm , B - 104 mm,
C - 198 mm , D - 213 mm

Optional Accessories : Spotting attachment.



Product Code : CAN LED TL15



Applications :

Museums, Art Galleries, Shopping malls,
Display outlets etc.,



High quality LED track light with high color rendering index, displays the true color of the product and well-designed adjustable angle provides perfect lighting for various applications and also excellent heat dissipation structure essentially engineered for long life.

FEATURES

- Uses international top brand COB light source with high CRI>80 and consistency in color temperature over the long period of time.
- Die casted aluminium housing with black and white spray coating or polyester epoxy powder coat finish.
- Deeply recessed reflector design greatly reduces glare and stray light.
- Angle-adjustable design provides perfect lighting solution to various applications.
- Diverse options for light combination and lens are available , meeting requirements in all kinds of applications.
- Simple installation and easy maintenance.

SPECIFICATIONS

LED power : 30W LED

Power Supply : 100-240V AC, 50-60Hz

Color temperature : 3000K/4000K/6000K

CRI : > 80

Protection rating : IP20

Beam angle : 15°/22°/48°/Customized

Rotation : PAN-355°, Tilt-95°

Paint/Color : White or Black

Housing : Die-cast aluminium

Weight : 1.55 Kg

Dimension : A - 114 mm , B – 153 mm ,
C - 270 mm , D - 228 mm

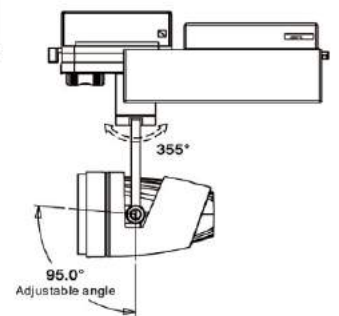
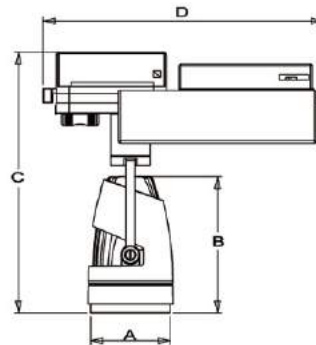
Optional Accessories : Spotting attachment.



Product Code : CAN LED TL30

Applications :

Museums, Art Galleries, Shopping n
Display outlets etc.,



High quality LED track light with high color rendering index, displays the true color of the product and well-designed adjustable angle provides perfect lighting for various applications and also excellent heat dissipation structure essentially engineered for long life.

FEATURES

- Uses international top brand COB light source with high CRI>80 and consistency in color temperature over the long period of time.
- Die casted aluminium housing with black and white spray coating or polyester epoxy powder coat finish.
- Deeply recessed reflector design greatly reduces glare and stray light.
- Angle-adjustable design provides perfect lighting solution to various applications.
- Diverse options for light combination and lens are available , meeting requirements in all kinds of applications.
- Simple installation and easy maintenance.



Product Code : CAN LED TL42

Applications :

Museums, Art Galleries, Shopping malls, Display outlets etc.,

SPECIFICATIONS

LED power : 42W LED

Power Supply : 100 – 240V AC, 50-60Hz

Color temperature : 3000K/4000K/6000K

CRI : >80

Protection rating : IP20

Beam angle : 15°/22°/48°/Customized

Rotation : PAN-355°, Tilt-95°

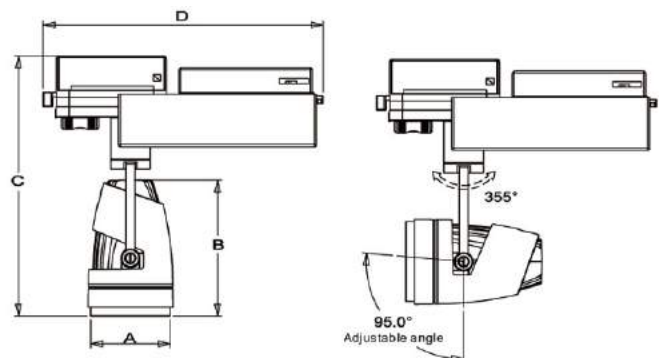
Paint/Color : White or Black

Housing : Die-cast aluminium

Weight : 1.65 Kg

Dimension : A - 114 mm , B – 153 mm,
C - 270 mm , D – 228 mm

Optional Accessories : Spotting attachment.



LED WINDOW LIGHT

SL.NO.	CODE	DESCRIPTION
01.	CAN LED WL4	LED WINDOW LIGHT – 4W
02.	CAN LED WL7-180°	LED WINDOW LIGHT – 7W
03.	CAN LED WL7-180° RGB	LED WINDOW LIGHT – 7W
04.	CAN LED WL8-360°	LED WINDOW LIGHT – 8W
05.	CAN LED WL9-360° RGB	LED WINDOW LIGHT – 9W
06.	CAN LED WL20-360° RGBW	LED WINDOW LIGHT – 20W
07.	CAN LED WL8	LED WINDOW LIGHT – 8W
08.	CAN LED WL9	LED WINDOW LIGHT – 9W
09.	CAN LED WWL7	LED WINDOW WASH LIGHT – 7W
10.	CAN LED WWL20RGBW	LED WINDOW WASH LIGHT – 20W



CaNaRa
Lighting

GLOBAL ILLUMINATORS

Canara High quality surface mounted LED 180° light blade effect with high CRI gives smooth and bright light, displays the true color in sensitive cameras. High quality die casted/extruded aluminium fixtures with professionally designed lenses reduces the glare and stray light. Excellent heat-dissipation structure essentially engineered for long LED life of 50,000 hours.

FEATURES

- Low-power high bright LED light source.
- Available in a choice of color.
- High corrosion resistance through chemical chromated protection before powder coating.
- Highly efficient, reduced stray effect and glare free.
- Excellent visual and comfort.
- Unique body design & light effect.
- Maintenance free fixture.



Product Code : CAN LED WL4

Applications :

Decorative lighting for Residential, commercial & Outdoor Lighting, Advertising Boards, Signage etc.,

SPECIFICATIONS

LED power : 4W LED

Power Supply : 100 – 240V AC, 50-60Hz

Color temperature : RGBWA

Protection rating : IP65 ; IK03

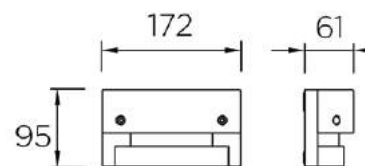
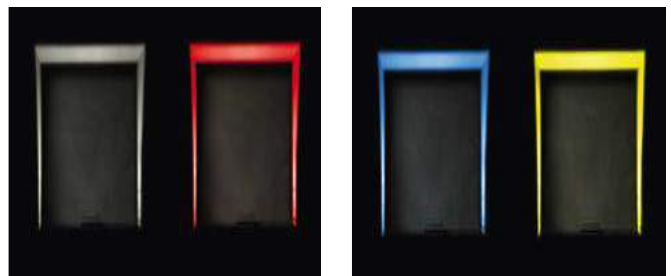
Luminous flux : >100LM/W

Installation : wall-surface mounting

Material : Steel and aluminium body

Dimension : L 172 x W 95 x H 61 mm

Weight : 0.3 Kg



CaNaRa
Lighting
GLOBAL ILLUMINATORS

Surface-mounted Canara LED luminaire with 180° light blade effect, made of die-cast aluminium body and innovative polycarbonate optical lens. This mini device can be used to add rhythm to space with vertical, horizontal and sloping light lines.

FEATURES

- The luminaire comes with well finished aluminium body and excellent thermal management, all components will work in low temperature ensures luminaire long lasting.
- A miniature pro optical technology that emits light with unique light distribution including light blade effect and washer effect.
- The material of lens is antioxidant polycarbonate, it does not yellow or alter over time.
- Quick and easy to install thanks to the compact design, small but powerful to maximize illuminated areas.



Product Code : CAN LED WL7-180°

Applications :

Ideal for lighting building facades and windows, Corridors, door.

SPECIFICATIONS

LED power : 7W LED

Power Supply : 24Vdc

Color Temperature : 3000-6000K

CRI : >80

Optical system : Antioxidant polycarbonate lens

Protection rating : IP65 ; IK07

Control : Manual / DMX 512 (optional)

Installation : Surface Mounted

Material : Die-cast aluminium body

Dimension : L 92 x W 72 x H 87 mm



CaNaRa
Lighting
GLOBAL ILLUMINATORS

Surface-mounted Canara LED luminaire with 180° light blade effect, made of die-cast aluminium body and innovative polycarbonate optical lens. This mini device can be used to add rhythm to space with vertical, horizontal and sloping light lines.

FEATURES

- The luminaire comes with well finished aluminium body and excellent thermal management, all components will work in low temperature ensures luminaire long lasting.
- A miniature pro optical technology that emits light with unique light distribution including light blade effect and washer effect.
- The material of lens is antioxidant polycarbonate, it does not yellow or alter over time.
- Quick and easy to install thanks to the compact design, small but powerful to maximize illuminated areas.



**Product Code : CAN LED WL7-
180°RGB**

Applications :

Ideal for lighting building facades and windows, Corridors, door.

SPECIFICATIONS

LED power : 7W LED

Power Supply : 24Vdc

Color : R/G/B

Optical system : Antioxidant polycarbonate lens

Protection rating : IP65 ; IK07

Control : Manual/ DMX 512 (optional)

Installation : Surface mounted

Material : Die cast aluminum body

Dimension : ϕ 43.5 x L225 x W73 mm



CaNaRa
Lighting
GLOBAL ILLUMINATORS

Surface-mounted Canara LED luminaire with 360° light blade effect, made of die-cast aluminium body and innovative polycarbonate optical lens. This mini device can be used to add rhythm to space with vertical, horizontal and sloping light lines.

FEATURES

- The luminaire comes with well finished aluminium body and excellent thermal management, all components will work in low temperature ensures luminaire long lasting.
- A miniature pro optical technology that emits light with unique light distribution including light blade effect and washer effect.
- The material of lens is antioxidant polycarbonate, it does not yellow or alter over time.
- Quick and easy to install thanks to the compact design, small but powerful to maximize illuminated areas.



Product Code : CAN LED WL8-360°

Applications :

Ideal for lighting building facades and windows, Corridors, door.

SPECIFICATIONS

LED power : 8W LED

Power Supply : 24Vdc

Color Temperature : 3000-6000K

CRI : >80

Optical system : Antioxidant polycarbonate lens

Protection rating : IP65 ; IK07

Control : Manual / DMX 512 (optional)

Installation : Surface Mounted

Material : Die-cast aluminium body

Dimension : \varnothing 94 x W 33 x H 154 mm



Surface-mounted Canara LED luminaire with 360° light blade effect, made of die-cast aluminium body and innovative polycarbonate optical lens. This mini device can be used to add rhythm to space with vertical, horizontal and sloping light lines.

FEATURES

- The luminaire comes with well finished aluminium body and excellent thermal management, all components will work in low temperature ensures luminaire long lasting.
- A miniature pro optical technology that emits light with unique light distribution including light blade effect and washer effect.
- The material of lens is antioxidant polycarbonate, it does not yellow or alter over time.
- Quick and easy to install thanks to the compact design, small but powerful to maximize illuminated areas.



**Product Code : CAN LED WL9-
360°RGB**

Applications :

**Ideal for lighting building facades
and windows, Corridors, door.**

SPECIFICATIONS

LED power : 9W LED

Power Supply : 24Vdc

Color : RGB

Optical system : Antioxidant polycarbonate lens

Protection rating : IP65 ; IK07

Control : Manual/ DMX 512 (optional)

Installation : Surface mounted

Material : Die cast aluminum body

Dimension : \varnothing 94 x W 33 x H 154 mm



CaNaRa
Lighting
GLOBAL ILLUMINATORS

Surface-mounted Canara LED luminaire with 360° light blade effect, made of die-cast aluminium body and innovative polycarbonate optical lens. This mini device can be used to add rhythm to space with vertical, horizontal and sloping light lines.

FEATURES

- The luminaire comes with well finished aluminium body and excellent thermal management, all components will work in low temperature ensures luminaire long lasting.
- A miniature pro optical technology that emits light with unique light distribution including light blade effect and washer effect.
- The material of lens is antioxidant polycarbonate, it does not yellow or alter over time.
- Quick and easy to install thanks to the compact design, small but powerful to maximize illuminated areas.



Product Code : CAN LED WL20-360°RGBW

Applications :

Ideal for lighting building facades and windows, Corridors, door.

SPECIFICATIONS

LED power : 20W LED

Power Supply : 24Vdc

Color : RGBW

Optical system : Antioxidant polycarbonate lens

Protection rating : IP65 ; IK07

Control : Manual / DMX 512

Installation : Surface Mounted

Material : Die-cast aluminium body

Dimension : ø94 x W 33 x H 154 mm



CaNaRa
Lighting
GLOBAL ILLUMINATORS

Canara High quality surface mounted LED 180° light blade effect gives highly decorative look for windows and architectural cutouts in the buildings. Fixture is made up of die casted/ Extruded aluminium with professionally designed lenses to achieve the reduced glare and stray light.

FEATURES

- Low-power high bright LED light source.
- Available in a choice of colors.
- High corrosion resistance through chemical chromated protection before powder coating.
- Highly efficient, reduced stray effect and glare free.
- Excellent visual and comfort.
- Unique body design & light effect.
- Maintenance free fixture.

SPECIFICATIONS

LED power : 8W LED

Power Supply : 100 – 240V AC, 50-60Hz

Color temperature : R/G/B/W/A

Protection rating : IP67 ; IK03

Luminous flux : > 100LM/W

Optics : 180°

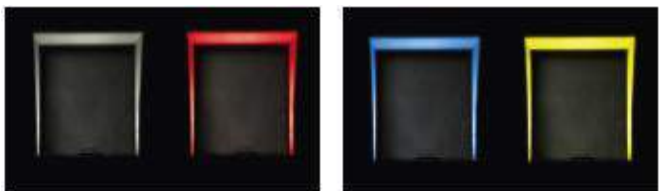
Installation : wall-surface mounting

Material : Steel and aluminum body

Dimension : L 153 x W 81 x W 95 mm



Product Code : CAN LED WL8



Applications :

Decorative wall lighting for commercial, Hospitality & Residential application etc.,



CaNaRa
Lighting
GLOBAL ILLUMINATORS

Canara High quality surface mounted LED 360° light blade effect gives highly decorative look for windows and architectural cutouts in the buildings. Fixture is made up of die casted/ Extruded aluminium with professionally designed lenses to achieve the reduced glare and stray light.

FEATURES

- Low-power high bright LED light source.
- Available in a choice of colors.
- High corrosion resistance through chemical chromated protection before powder coating.
- Highly efficient, reduced stray effect and glare free.
- Excellent visual and comfort.
- Unique body design & light effect.
- Maintenance free fixture.



Product Code : CAN LED WL9

Applications :

Decorative wall lighting for commercial, Hospitality & Residential application etc.,



CaNaRa
Lighting
GLOBAL ILLUMINATORS

SPECIFICATIONS

LED power : 9W LED

Power Supply : 100-240V AC, 50-60Hz

Color temperature : A/R/G/B/Y/WW/CW

Protection rating : IP65

Luminous flux : > 100LM/W

Optics : 360°

Installation : wall-surface mounting

Material : Steel and aluminum body

Dimension : L 190 x W 153 x W 58 mm

Weight : 1 Kg.



Surface-mounted Canara LED window wash light, made of die-cast aluminium body and innovative polycarbonate optical lens. This mini device can be used to add rhythm to space with vertical, horizontal and sloping light lines.

FEATURES

- The luminaire comes with well finished aluminium body and excellent thermal management, all components will work in low temperature ensures luminaire long lasting.
- A miniature pro optical technology that emits light with unique light distribution including light blade effect and washer effect.
- The material of lens is antioxidant polycarbonate, it does not yellow or alter over time.
- Quick and easy to install thanks to the compact design, small but powerful to maximize illuminated areas.



Product Code : CAN LED WWL7

Applications :

Ideal for lighting building facades and windows, Corridors, door.

SPECIFICATIONS

LED power : 7W LED

Power Supply : 24Vdc

Color temperature : 3000-6000K

CRI : > 80

Optical system : Antioxidant polycarbonate lens

Protection rating : IP65 ; IK07

Control : Manual/ DMX 512 (optional)

Installation : Surface mounted

Material : Die cast aluminum body

Dimension : L 100 x W 80 x H 75 mm



CaNaRa
Lighting
GLOBAL ILLUMINATORS

Surface-mounted Canara LED window wash light, made of die-cast aluminium body and innovative polycarbonate optical lens. This mini device can be used to add rhythm to space with vertical, horizontal and sloping light lines.

FEATURES

- The luminaire comes with well finished aluminium body and excellent thermal management, all components will work in low temperature ensures luminaire long lasting.
- A miniature pro optical technology that emits light with unique light distribution including light blade effect and washer effect.
- The material of lens is antioxidant polycarbonate, it does not yellow or alter over time.
- Quick and easy to install thanks to the compact design, small but powerful to maximize illuminated areas.



**Product Code : CAN LED
WWL20RGBW**

Applications :

Ideal for lighting building facades and windows, Corridors, door.

SPECIFICATIONS

LED power : 20W LED

Power Supply : 24Vdc

Color : RGBW

Optical system : Antioxidant polycarbonate lens

Protection rating : IP65 ; IK07

Control : Manual / DMX 512

Installation : Surface Mounted

Material : Die-cast aluminium body

Dimension : L 100 x W 80 x H 75 mm



CaNaRa
Lighting
GLOBAL ILLUMINATORS

LED BOLLARD LIGHT

SL.NO.	CODE	DESCRIPTION
01.	CAN LED BLRD6	LED BOLLARD LIGHT – 6W
02.	CAN LED BLRD9	LED BOLLARD LIGHT – 9W
03.	CAN LED BLRD1-15	LED BOLLARD LIGHT – 15W
04.	CAN LED BLRD2-15	LED BOLLARD LIGHT – 15W
05.	CAN LED BLRD12	LED BOLLARD LIGHT – 12W
06.	CAN LED BLRD1-25	LED BOLLARD LIGHT – 25W
07.	CAN LED BLRD2-25	LED BOLLARD LIGHT – 25W
08.	CAN LED BLRD3-25	LED BOLLARD LIGHT – 25W



CaNaRa
Lighting

GLOBAL ILLUMINATORS

Canara Highly decorative, functional and energy efficient LED Bollard light is perfect for both commercial, hospitality and residential applications.

FEATURES

- Low power LED light source.
- Available in a choice of warm white (3000K) or neutral white (4000K).
- Integrated baseplate and driver for easy installation.
- Having Die-casted aluminium body, extruded aluminium pole with LED's, gives high output with less power consumption.
- High corrosion resistance through chemical chromated protection before powder coating.
- IK10 impact resistance.
- Highly efficient and glare free.
- Excellent visual and comfort.
- Unique body design.
- Maintenance free fixture.



Product Code : CAN LED BLRD6

Applications :

Commercial, Hospitality & Residential application etc.,

SPECIFICATIONS

LED power : 6W LED

Power Supply : 100 – 240V AC, 50-60Hz

Optical system : Super white tempered glass

Color temperature : 3000K/4000K

Protection rating : IP65; IK10

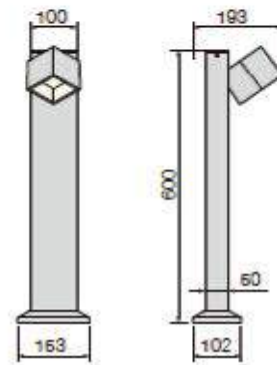
Luminous flux : 400LM

CRI : >70

Installation : On ground/Surface mounting

Material : Extruded aluminum body

Weight : 2.3 Kg



Canara Highly decorative, functional and energy efficient LED Bollard light is perfect for both commercial, hospitality and residential applications.

FEATURES

- Low power LED light source.
- Available in a choice of warm white (3000K) or neutral white (4000K).
- Integrated baseplate and driver for easy installation.
- Having Die-casted aluminium body, extruded aluminium pole with LED's, gives high output with less power consumption.
- High corrosion resistance through chemical chromated protection before powder coating.
- IK10 impact resistance.
- Highly efficient and glare free.
- Excellent visual and comfort.
- Unique body design.
- Maintenance free fixture.



Product Code : CAN LED BLRD9

Applications :

Commercial, Hospitality & Residential application etc.,



CaNaRa
Lighting
GLOBAL ILLUMINATORS

SPECIFICATIONS

LED power : 9W LED

Power Supply : 100 – 240V AC, 50-60Hz

Optical system : Super white tempered glass

Color temperature : 3000K/4000K

Protection rating : IP65 ; IK10

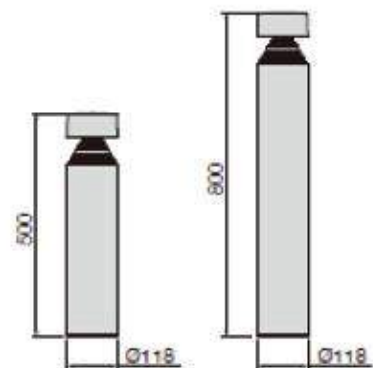
Luminous flux : 650LM

CRI : >70

Installation : On ground/Surface mounting

Material : Extruded aluminum body

Weight : 2.2 Kg



Canara Highly decorative, functional and energy efficient LED Bollard light is perfect for both commercial, hospitality and residential applications.

FEATURES

- Low power LED light source.
- Available in a choice of warm white (3000K) or neutral white (4000K).
- Integrated baseplate and driver for easy installation.
- Having Die-casted aluminium body, extruded aluminium pole with LED's, gives high output with less power consumption.
- High corrosion resistance through chemical chromatized protection before powder coating.
- IK10 impact resistance.
- Excellent visual and comfort.
- Unique body design.
- Maintenance free fixture.



Product Code : CAN LED BLRD1-15

Applications :

Commercial, Hospitality & Residential application etc.,

SPECIFICATIONS

LED power : 15W LED

Power Supply : 100 – 240V AC, 50-60Hz

Optical system : Super white tempered glass

Color temperature : 3000K/4000K

Protection rating : IP65; IK10

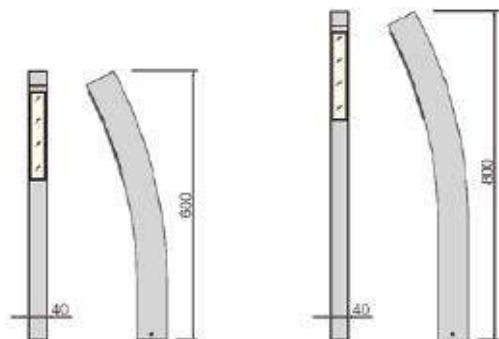
Luminous flux : 1500LM

CRI : >70

Installation : On ground/Surface mounting

Material : Extruded aluminum body

Weight : 0.7/0.9 Kg



Canara Highly decorative, functional and energy efficient LED Bollard light is perfect for both commercial, hospitality and residential applications.

FEATURES

- Low power LED light source.
- Available in a choice of warm white (3000K) or neutral white (4000K).
- Integrated baseplate and driver for easy installation.
- Having Die-casted aluminium body, extruded aluminium pole with LED's, gives high output with less power consumption.
- High corrosion resistance through chemical chromated protection before powder coating.
- IK10 impact resistance.
- Highly efficient and glare free.
- Excellent visual and comfort.
- Unique body design.
- Maintenance free fixture.



Product Code : CAN LED BLRD2-15

Applications :

Commercial, Hospitality & Residential application etc.,

SPECIFICATIONS

LED power : 15W LED

Power Supply : 100 – 240V AC, 50-60Hz

Optical system : Super white tempered glass

Color temperature : 3000K/4000K

Protection rating : IP65 ; IK10

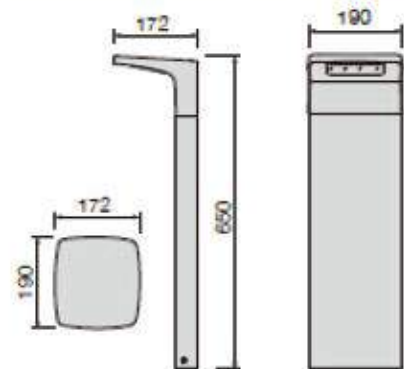
Luminous flux : 1500LM

CRI : >70

Installation : On ground/Surface mounting

Material : Extruded aluminum body

Weight : 2.8 Kg

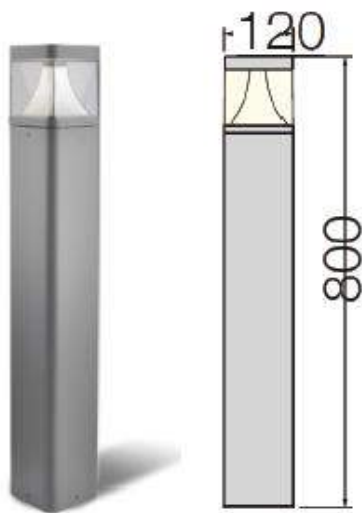


CaNaRa
Lighting
GLOBAL ILLUMINATORS

Canara Highly decorative, functional and energy efficient LED Bollard light is perfect for both commercial, hospitality and residential applications.

FEATURES

- Low power LED light source.
- Available in a choice of warm white (3000K) or neutral white (4000K).
- Integrated baseplate and driver for easy installation.
- Having Die-casted aluminium body, extruded aluminium pole with LED's, gives high output with less power consumption.
- High corrosion resistance through chemical chromatized protection before powder coating.
- Highly efficient and glare free.
- Excellent visual and comfort.
- Unique body design.
- Maintenance free fixture.



Product Code : CAN LED BLRD12

Applications :

Commercial, Hospitality & Residential application etc.,

SPECIFICATIONS

LED power : 12W LED

Power Supply : 100 – 240V AC, 50-60Hz

Optical system : PMAA diffuser

Color temperature : 3000K/4000K

Protection rating : IP65

Installation : On ground/Surface mounting

Material : Extruded aluminium body

Weight : 3.2 Kg

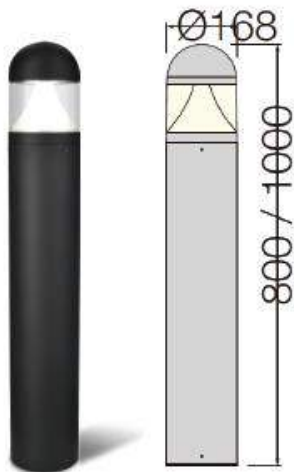


CaNaRa
Lighting
GLOBAL ILLUMINATORS

Canara Highly decorative, functional and energy efficient LED Bollard light is perfect for both commercial, hospitality and residential applications.

FEATURES

- Low power LED light source.
- Available in a choice of warm white (3000K) or neutral white (4000K).
- Integrated baseplate and driver for easy installation.
- Having Die-casted aluminium body, extruded aluminium pole with LED's, gives high output with less power consumption.
- High corrosion resistance through chemical chromated protection before powder coating.
- Highly efficient and glare free.
- Excellent visual and comfort.
- Unique body design.
- Maintenance free fixture.



Product Code : CAN LED BLRD1-25

Applications :

Commercial, Hospitality & Residential application etc.,



CaNaRa
Lighting
GLOBAL ILLUMINATORS

SPECIFICATIONS

LED power : 25W LED

Power Supply : 100 – 240V AC, 50-60Hz

Optical system : PMMA diffuser

Color temperature : 3000K/4000K

Protection rating : IP65

Installation : On ground/Surface mounting

Material : Extruded aluminum body

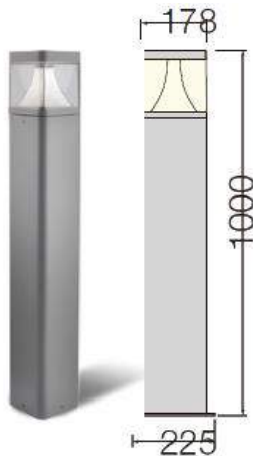
Weight : 5.3 Kg



Canara Highly decorative, functional and energy efficient LED Bollard light is perfect for both commercial, hospitality and residential applications.

FEATURES

- Low power LED light source.
- Available in a choice of warm white (3000K) or neutral white (4000K).
- Integrated baseplate and driver for easy installation.
- Having Die-casted aluminium body, extruded aluminium pole with LED's, gives high output with less power consumption.
- High corrosion resistance through chemical chromated protection before powder coating.
- Highly efficient and glare free.
- Excellent visual and comfort.
- Unique body design.
- Maintenance free fixture.



Product Code : CAN LED BLRD2-25

Applications :

Commercial, Hospitality & Residential application etc.,

SPECIFICATIONS

LED power : 25W LED

Power Supply : 100 – 240V AC, 50-60Hz

Optical system : PMAA diffuser

Color temperature : 3000K/4000K

Protection rating : IP65

Installation : On ground/Surface mounting

Material : Extruded aluminum body

Weight : 8.5 Kg



CaNaRa
Lighting
GLOBAL ILLUMINATORS

Canara Highly decorative, functional and energy efficient LED Bollard light is perfect for both commercial, hospitality and residential applications.

FEATURES

- Low power LED light source.
- Available in a choice of warm white (3000K) or neutral white (4000K).
- Integrated baseplate and driver for easy installation.
- Having Die-casted aluminium body, extruded aluminium pole with LED's, gives high output with less power consumption.
- High corrosion resistance through chemical chromated protection before powder coating.
- Highly efficient and glare free.
- Excellent visual and comfort.
- Unique body design.
- Maintenance free fixture.



SPECIFICATIONS

LED power : 25W LED

Power Supply : 100 – 240V AC, 50-60Hz

Optical system : PMMA diffuser

Color temperature : 3000K/4000K

Protection rating : IP65

Installation : On ground/Surface mounting

Material : Extruded aluminum body

Weight : 6.5 Kg



Product Code : CAN LED BLRD3-25

Applications :

Commercial, Hospitality & Residential application etc.,



CaNaRa
Lighting
GLOBAL ILLUMINATORS

LED POST TOP LIGHT

SL.NO.	CODE	DESCRIPTION	PG. NO.
01.	CAN LED PTLA35 CAN LED PTLA45 CAN LED PTLA55 CAN LED PTLA60	LED POST TOP LIGHT – 35/45/55/60W	107
02.	CAN LED PTLB30 CAN LED PTLB45 CAN LED PTLB55	LED POST TOP LIGHT – 30/45/55W	108
03.	CAN LED PTLC35 CAN LED PTLC50 CAN LED PTLC60	LED POST TOP LIGHT – 35/50/60W	109
04.	CAN LED PTLD35 CAN LED PTLD45 CAN LED PTLD55 CAN LED PTLA60	LED POST TOP LIGHT – 35/45/55/60W	110
05.	CAN LED PTLE35 CAN LED PTLE45 CAN LED PTLE55 CAN LED PTLE60	LED POST TOP LIGHT – 35/45/55/60W	111
06.	CAN LED PTLF35 CAN LED PTLF50 CAN LED PTLF60	LED POST TOP LIGHT – 35/50/60W	112
07.	CAN LED PTLG20 CAN LED PTLG30	LED POST TOP LIGHT – 20/30W	113
08.	CAN LED PTLH30 CAN LED PTLH45 CAN LED PTLH55	LED POST TOP LIGHT – 30/45/55W	114

Canara unique Post Top light is classic version in landscape lighting. The advanced LED optical system provides improved horizontal and vertical uniformity, reduced glare and improved lighting control.

FEATURES

- Improved illumination spread over the area.
- Available in a choice of Warm white (3000K) or Day white (6500K).
- Significant energy saving and less maintenance.
- Die casted aluminium body for lamp housing with electrostatic powder coating for surface treatment.
- High strength tempered glass diffuser.
- Eliminates re-lamping cycle.
- Highly efficient and glare free.
- Unique body design.



**Product Code : CAN LED PTLA30
CAN LED PTLA45
CAN LED PTLA55
CAN LED PTLA60**

Applications :

Landscape, Roadways, Parks, Residential and commercial outdoor etc.,

SPECIFICATIONS

LED power : 35W/45W/55W/60W LED

Power Supply : 120 – 270V AC, 50-60Hz

LED quantity : 16psc/20pcs/24pcs/28pcs

Color Temperature : 3000K/6500K

Optical system : Tempered glass diffuser

Protection rating : IP65

Luminous Flux : >90lm/W

CRI : >75

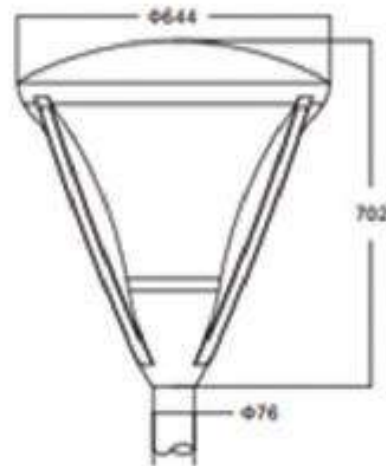
Material : Die cast aluminum body

Life span : 30,000 hours

Weight : 11.6 Kg

Dimension : ϕ 644 x L 702

Accessories : Pole with base plate.



Canara unique Post Top light is classic version in landscape lighting. The advanced LED optical system provides improved horizontal and vertical uniformity, reduced glare and improved lighting control.

FEATURES

- Improved illumination spread over the area.
- Available in a choice of Warm white (3000K) or Day white (6500K).
- Significant energy saving and less maintenance.
- Die casted aluminium body for lamp housing with electrostatic powder coating for surface treatment.
- High strength tempered glass diffuser.
- Eliminates re-lamping cycle.
- Highly efficient and glare free.
- Unique body design.



**Product Code : CAN LED PTLB30
CAN LED PTLB45
CAN LED PTLB55**

Applications :

Landscape, Roadways, Parks, Residential and commercial outdoor etc.,

SPECIFICATIONS

LED power : 30W/45W/55W LED

Power Supply : 120 – 270V AC, 50-60Hz

LED quantity : 15psc/20pcs/25pcs

Color Temperature : 3000K/6500K

Optical system : Tempered glass diffuser

Protection rating : IP65

Luminous Flux : >90lm/W

CRI : >75

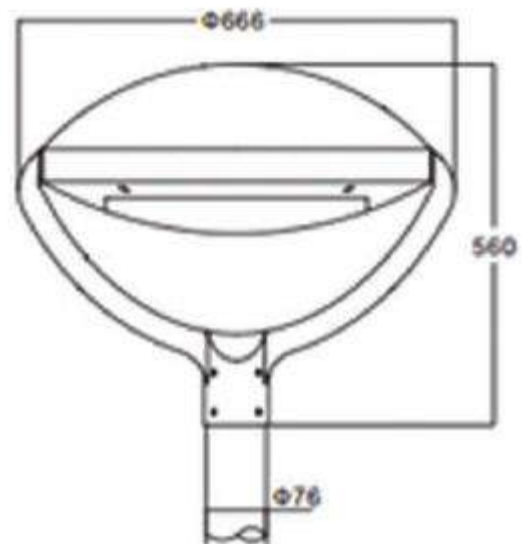
Material : Die cast aluminum body

Life span : 50,000 hours

Weight : 12.5 Kg

Dimension : ϕ 666 x L 560

Accessories : Pole with base plate.



Canara unique Post Top light is classic version in landscape lighting. The advanced LED optical system provides improved horizontal and vertical uniformity, reduced glare and improved lighting control.

FEATURES

- Improved illumination spread over the area.
- Available in a choice of Warm white (3000K) or Day white (6500K).
- Significant energy saving and less maintenance.
- Die casted aluminium body for lamp housing with electrostatic powder coating for surface treatment.
- High strength tempered glass diffuser.
- Eliminates re-lamping cycle.
- Highly efficient and glare free.
- Unique body design.



**Product Code : CAN LED PTLC35
CAN LED PTLC50
CAN LED PTLC60**

Applications :

Landscape, Roadways, Parks, Residential and commercial outdoor etc.,

SPECIFICATIONS

LED power : 35W/50W/60W LED

Power Supply : 120 – 270V AC, 50-60Hz

LED quantity : 16psc/24psc/28psc

Color Temperature : 3000K/6500K

Optical system : Tempered glass diffuser

Protection rating : IP65

Luminous Flux : >90lm/W

CRI : >75

Material : Die cast aluminum body

Life span : 50,000 hours

Weight : 12.1 Kg

Dimension : ϕ 650 x L 674

Accessories : Pole with base plate.



Canara unique Post Top light is classic version in landscape lighting. The advanced LED optical system provides improved horizontal and vertical uniformity, reduced glare and improved lighting control.

FEATURES

- Improved illumination spread over the area.
- Available in a choice of Warm white (3000K) or Day white (6500K).
- Significant energy saving and less maintenance.
- Die casted aluminium body for lamp housing with electrostatic powder coating for surface treatment.
- High strength tempered glass diffuser.
- Eliminates re-lamping cycle.
- Highly efficient and glare free.
- Unique body design.



**Product Code : CAN LED PTLD35
CAN LED PTLD45
CAN LED PTLD55
CAN LED PTLD60**

Applications :

Landscape, Roadways, Parks, Residential and commercial outdoor etc.,

SPECIFICATIONS

LED power : 35W/45W/55W/60W LED

Power Supply : 120 – 270V AC, 50-60Hz

LED quantity : 16psc/20pcs/24pcs/28PCS

Color Temperature : 3000K/6500K

Optical system : Tempered glass diffuser

Protection rating : IP65

Luminous Flux : >90lm/W

CRI : >75

Material : Die cast aluminum body

Life span : 50,000 hours

Weight : 11.6 Kg

Dimension : ϕ 620 x L 800

Accessories : Pole with base plate.



Canara unique Post Top light is classic version in landscape lighting. The advanced LED optical system provides improved horizontal and vertical uniformity, reduced glare and improved lighting control.

FEATURES

- Improved illumination spread over the area.
- Available in a choice of Warm white (3000K) or Day white (6500K).
- Significant energy saving and less maintenance.
- Die casted aluminium body for lamp housing with electrostatic powder coating for surface treatment.
- High strength tempered glass diffuser.
- Eliminates re-lamping cycle.
- Highly efficient and glare free.
- Unique body design.



**Product Code : CAN LED PTLE35
CAN LED PTLE45
CAN LED PTLE55
CAN LED PTLE60**

Applications :

Landscape, Roadways, Parks, Residential and commercial outdoor etc.,

SPECIFICATIONS

LED power : 35W/45W/55W/60W LED

Power Supply : 120 – 270V AC, 50-60Hz

LED quantity : 16psc/20pcs/24pcs/28pcs

Color Temperature : 3000K/6500K

Optical system : Tempered glass diffuser

Protection rating : IP65

Luminous Flux : >90lm/W

CRI : >75

Material : Die cast aluminum body

Life span : 50,000 hours

Weight : 11.1 Kg

Dimension : ϕ 680 x L 710

Accessories : Pole with base plate.



Canara unique Post Top light is classic version in landscape lighting. The advanced LED optical system provides improved horizontal and vertical uniformity, reduced glare and improved lighting control.

FEATURES

- Improved illumination spread over the area.
- Available in a choice of Warm white (3000K) or Day white (6500K).
- Significant energy saving and less maintenance.
- Die casted aluminium body for lamp housing with electrostatic powder coating for surface treatment.
- High strength tempered glass diffuser.
- Eliminates re-lamping cycle.
- Highly efficient and glare free.
- Unique body design.



**Product Code : CAN LED PTLF35
CAN LED PTLF50
CAN LED PTLF60**

Applications :

Landscape, Roadways, Parks, Residential and commercial outdoor etc.,

SPECIFICATIONS

LED power : 30W/50W/60W LED

Power Supply : 120 – 270V AC, 50-60Hz

LED quantity : 16psc/24pcs/28PCS

Color Temperature : 3000K/6500K

Optical system : Tempered glass diffuser

Protection rating : IP65

Luminous Flux : >90lm/W

CRI : >75

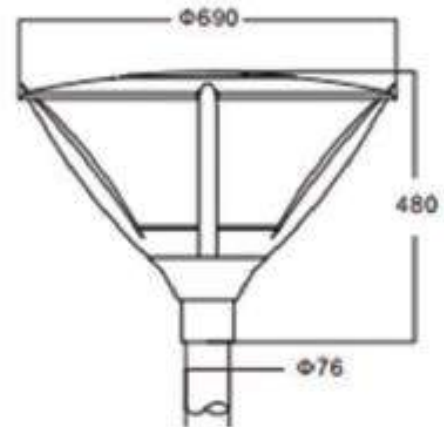
Material : Die cast aluminum body

Life span : 50,000 hours

Weight : 9.6 Kg

Dimension : ϕ 690 x L 480

Accessories : Pole with base plate.



Canara unique Post Top light is classic version in landscape lighting. The advanced LED optical system provides improved horizontal and vertical uniformity, reduced glare and improved lighting control.

FEATURES

- Improved illumination spread over the area.
- Available in a choice of Warm white (3000K) or Day white (6500K).
- Significant energy saving and less maintenance.
- Die casted aluminium body for lamp housing with electrostatic powder coating for surface treatment.
- High strength tempered glass diffuser.
- Eliminates re-lamping cycle.
- Highly efficient and glare free.
- Unique body design.



**Product Code : CAN LED PTLG20
CAN LED PTLG30**

SPECIFICATIONS

LED power : 20W/30W LED

Power Supply : 120 – 270V AC, 50-60Hz

LED quantity : 20pcs

Color Temperature : 3000K/6500K

Optical system : Tempered glass diffuser

Protection rating : IP65

Luminous Flux : >70lm/W

CRI : >75

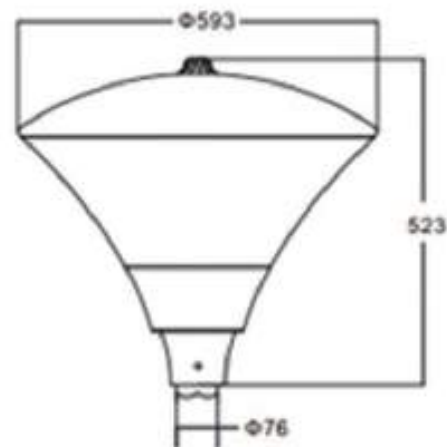
Material : Die cast aluminum body

Life span : 50,000 hours

Weight : 6.7 Kg

Dimension : ϕ 593 x L 523

Accessories : Pole with base plate.



Applications :

Landscape, Roadways, Parks, Residential and commercial outdoor etc.,

Canara unique Post Top light is classic version in landscape lighting. The advanced LED optical system provides improved horizontal and vertical uniformity, reduced glare and improved lighting control.

FEATURES

- Improved illumination spread over the area.
- Available in a choice of Warm white (3000K) or Day white (6500K).
- Significant energy saving and less maintenance.
- Die casted aluminium body for lamp housing with electrostatic powder coating for surface treatment.
- High strength tempered glass diffuser.
- Eliminates re-lamping cycle.
- Highly efficient and glare free.
- Unique body design.



**Product Code : CAN LED PTLH30
CAN LED PTLH45
CAN LED PTLH55**

Applications :

Landscape, Roadways, Parks, Residential and commercial outdoor etc.,

SPECIFICATIONS

LED power : 30W/45W/55W LED

Power Supply : 120 – 270V AC, 50-60Hz

LED quantity : 15psc/20pcs/25PCS

Color Temperature : 3000K/6500K

Optical system : Tempered glass diffuser

Protection rating : IP65

Luminous Flux : >90lm/W

CRI : >75

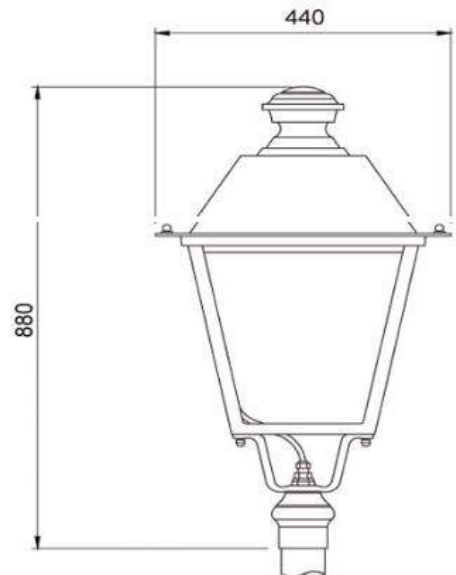
Material : Die cast aluminum body

Life span : 50,000 hours

Weight : 12.5 Kg

Dimension : ϕ 440 x L 880

Accessories : Pole with base plate.



LED PIXEL LIGHT

SL.NO.	CODE	DESCRIPTION
1	CAN LED PXL12	Linear LED Pixel-12W/m
2	CAN LED PXD5	LED Dot Pixel-

LED LINEAR PIXEL LIGHT



Canara High quality LED Pixel Linear light consist of pixel LED's, make high resolution, high brightness outdoor advertisement LED display and transparent LED display..

FEATURES

- Allows perfect control of color temperature and light output level.
- High quality of light gives perfect color homogeneity on output window.
- The brightness can be controlled by DMX512 signal and manual control, the adjustable range is 0-100%.
- High lumen output, higher efficiency, energy saving up to 60%, Eco-friendly and high luminous efficiency and excellent heat dissipation structure.
- Environmental friendly and free from UV, IR or Mercury.

SPECIFICATIONS

Power : 7W/9W/10W/12W/15W

Power Supply : DC24V

Color : RGB/RGB+W/R/G/B

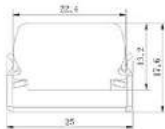
Protection rating : IP66

Beam angle : 110°

Control : DMX 512

Body : Extruded aluminum body

Dimension : L1000 x W22 x H13 mm



Product Code : CAN LED PXL12



Applications :

Outdoor Landscape lighting such as hotels, shopping malls, buildings and bridges.



LED DOT PIXEL LIGHT

Canara High quality LED Pixel Linear light consist of pixel LED's, make high resolution, high brightness outdoor advertisement LED display and transparent LED display..

FEATURES

- Allows perfect control of color temperature and light output level.
- High quality of light gives perfect color homogeneity on output window.
- The brightness can be controlled by DMX512 signal and manual control, the adjustable range is 0-100%.
- High lumen output, higher efficiency, energy saving up to 60%, Eco-friendly and high luminous efficiency and excellent heat dissipation structure.
- Environmental friendly and free from UV, IR or Mercury.

SPECIFICATIONS

Power :0.5W/0.8W/1W/1.5W/2W/3W

Power Supply : DC24V

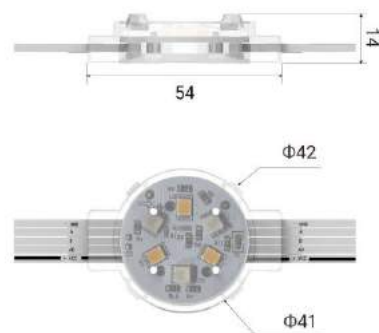
Color : RGB/RGB+W/R/G/B

Protection rating : IP68

Beam angle : 120°

Control : DMX 512

Body : Transparent Modified PVC



Product Code : CAN LED PXD1



Applications :

Outdoor Landscape lighting such as hotels, shopping malls, buildings and bridges.

CaNaRa
Lighting
GLOBAL ILLUMINATORS